



## LEVEL INDICATOR

# PFGLP

Product Line: **Floating**



Liquids



Food products



Corrosives

Float level indicator for the detection of liquids inside tanks or batching cells. All parts in contact with the product are in stainless steel.

### ADVANTAGES

- An **EASY TO INSTALL** instrument that does not require any calibration, maintenance or specific tool for its installation.
- **DURABLE** and **RELIABLE** with aluminium casing and electrical connection via anti-vibration faston terminals. Works with ambient temperatures from -20° to +70°C.



ATEX  
DUST ZONE 21  
GAS ZONE 1

## AVAILABLE VERSIONS



**PFGLPC**  
Curved version



ATEX  
DUST ZONE 21  
GAS ZONE 1



**PFGLP22**  
Version with  
G 2" thread



**PFGLP22C**  
Curved version  
with G 2" thread



ATEX  
DUST ZONE 22

# LEVEL INDICATOR PFGLP



Liquids

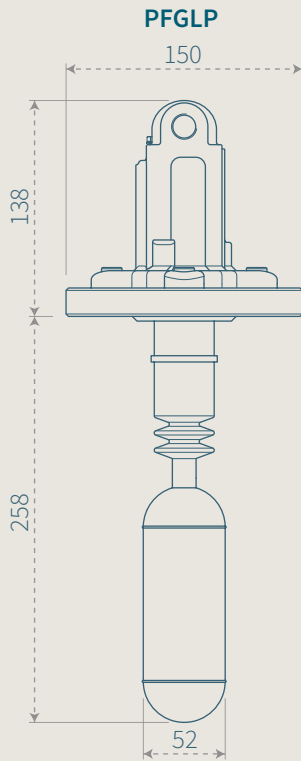


Food products

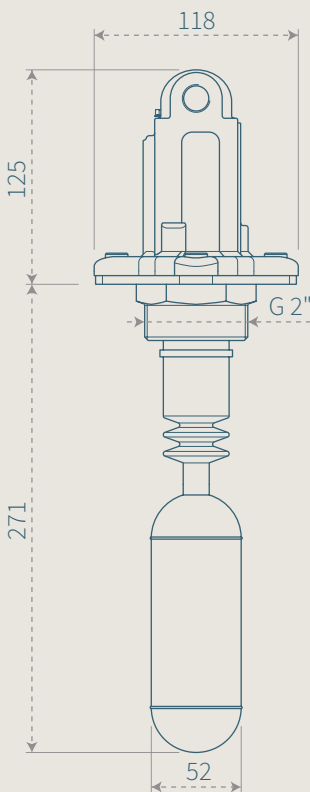


Corrosives

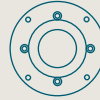
Product Line: **Floating**



**PFGLP22**

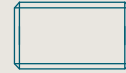


## Customizations



Stainless steel flange

**PFGLP22 ONLY**



Stainless steel sleeve G 2"

**PFGLP22 ONLY**



Stainless steel extension up to 500 mm



Curved float

