



Solids



IECEx - ATEX
DUST ZONE 20/21

LEVEL INDICATOR

PFG57

Product Line: **Rotary**

Small-sized bladed level particularly suitable for use on small tanks or batching cells. Version with male thread G 1" 1/2.

ADVANTAGES

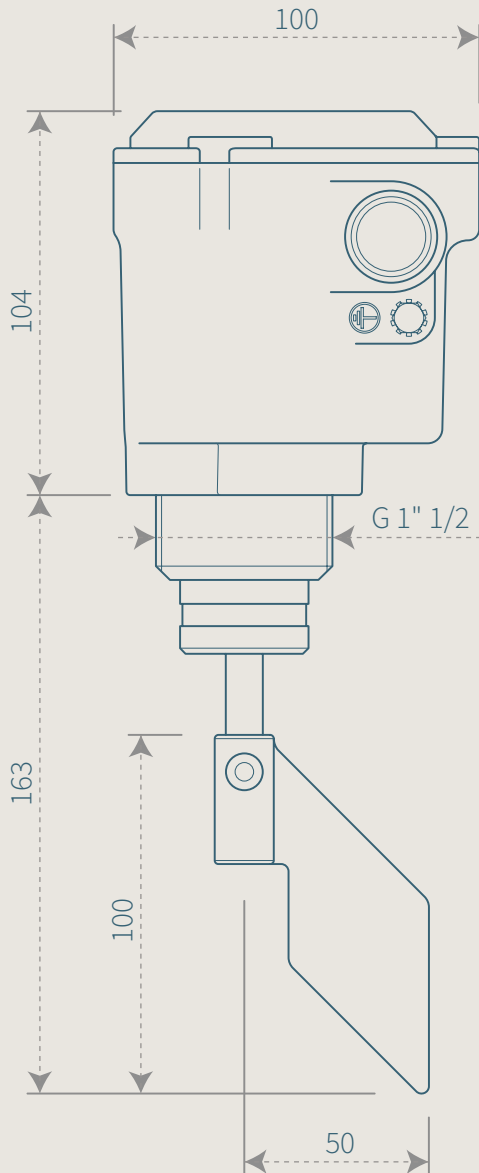
- An **EASY TO INSTALL** instrument that does not require any calibration, maintenance or specific tool for its installation.
- Thanks to the wide choice of paddles, all of which are interchangeable, it is **ADAPTABLE** to the different densities of the measured materials.
- Extremely **VERSATILE**, it can be installed on tanks, hoppers, on walls or roofs of silos, in a vertical, horizontal or oblique position.
- **CUSTOMIZABLE** with paddles, extensions, voltages.
- Protection degree of enclosures for electrical equipment **IP65**.
- **DURABLE** and **RELIABLE** with aluminium casing, stainless steel shaft on ball bearings and electrical connection via anti-vibration faston terminals. Works with ambient temperatures from -20° to +70°C.
- On request:
4 RPM: A faster rotation of the paddle reduces the intervention time of the level indicator.

LEVEL INDICATOR PFG57



Solids

Product Line: **Rotary**



Customizations



115/230V AC



24/48V AC



24V DC



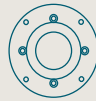
Lamp



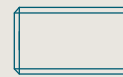
4 RPM



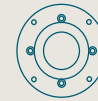
Low temperatures



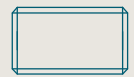
Aluminium flange



Iron sleeve
G 1 1/2



Stainless steel flange



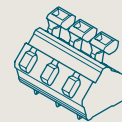
Stainless steel sleeve
G 1 1/2



Faston terminals
(standard)



Screw terminal blocks



Spring terminal blocks

Extensions

In galvanized steel or stainless steel.

- With or without protection, up to **3000 mm**
- Adjustable, with additional holes **to alter the paddle position**
- Flexible, up to **12 meters**

Compatible paddles

For information on the range of available paddles, refer to the dedicated brochure.

