



IECEX - ATEX  
DUST ZONE 20/21

## LEVEL INDICATOR

# PFG57X

Product Line: **Rotary**



Solids



Food  
products



Corrosives

Small-sized bladed level gauge particularly suitable for use on small tanks or batching cells. Parts in contact with the product are in stainless steel. Version with male thread G 1" 1/2.

### ADVANTAGES

- An **EASY TO INSTALL** instrument that does not require any calibration, maintenance or specific tool for its installation.
- Thanks to the wide choice of paddles, all of which are interchangeable, it is **ADAPTABLE** to the different densities of the measured materials.
- Extremely **VERSATILE**, it can be installed on tanks, hoppers, on walls or roofs of silos, in a vertical, horizontal or oblique position.
- **CUSTOMIZABLE** with paddles, extensions, voltages.
- Protection degree of enclosures for electrical equipment **IP65**.
- **DURABLE** and **RELIABLE** with aluminium casing, stainless steel shaft on ball bearings and electrical connection via anti-vibration faston terminals. Works with ambient temperatures from -20° to +70°C.
- On request:  
**4 RPM:** A faster rotation of the paddle reduces the intervention time of the level indicator.

# LEVEL INDICATOR PFG57X

Product Line: **Rotary**



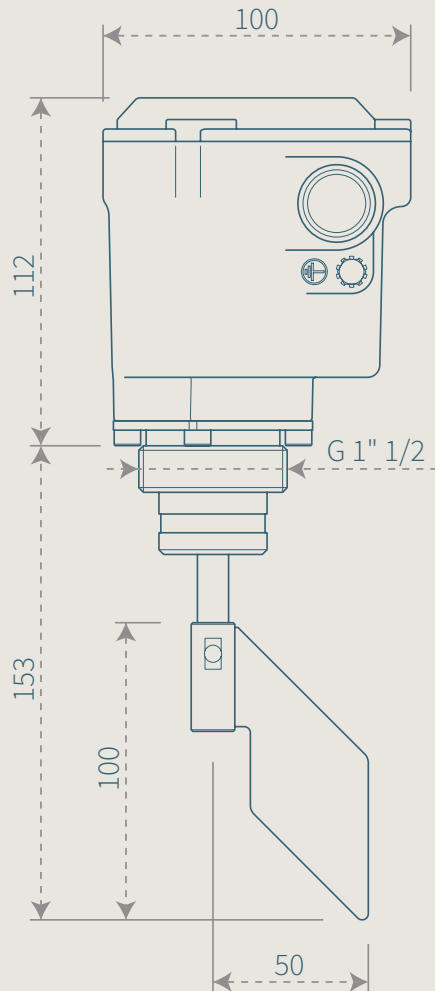
Solids



Food products



Corrosives



## Customizations



115/230V AC



24/48V AC



24V DC



Lamp



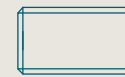
4 RPM



Low temperatures



Stainless steel flange



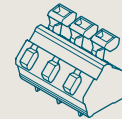
Stainless steel sleeve G 1 1/2



Faston terminals (standard)



Screw terminal blocks



Spring terminal blocks

## Extensions

In galvanized steel or stainless steel.

- With or without protection, up to **3000 mm**
- Adjustable, with additional holes **to alter the paddle position**

## Compatible paddles

For information on the range of available paddles, refer to the dedicated brochure.

