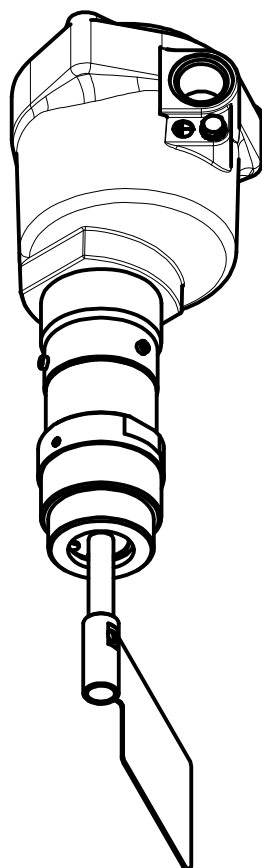


Terminals : male FASTON (.250 series / 6,3x0,8 mm)

PFG57AT



Model	PFG57AT
Weight	1,5 [kg]
Power supply	- Bivoltage 115/230[V] (50...60Hz) - 4[W] - Bivoltage 24/48[V] (50...60Hz) - 4[W] - DC 24[V] ±15% - 4[W]
Signal	SPDT / max. 5[A]-250VAC
IP grade	IP65
Housing	Aluminium (powder coated)
Connection	G1" 1/2 - AISI304
Ambient temperature	-20 < Ta < +70 [°C] -40 < Ta < +70 [°C] <i>LOW TEMPERATURE versions only (PFG.../B)</i>
Process temperature	-20 < Tp < +200 [°C] -40 < Tp < +200 [°C] <i>LOW TEMPERATURE versions only (PFG.../B)</i>
Pressure range	+0,8 ... +1,1 bar [abs]
Directives	2011/65/EU (RoHS) 2014/30/EU (EMC) 2014/34/EU (ATEX) 2014/35/EU (LVD)
Ex Marking	Ex II 1/2 D Ex ta/tb IIIC T85°C Da/Db

® CAMLogic
Via dell'Industria 12
42025 Cavriago (RE) - ITALY
www.camlogic.it

CAMLOGIC

DRAWING N. 0602_008_0

SHEET: 1 OF 5

REV: 0

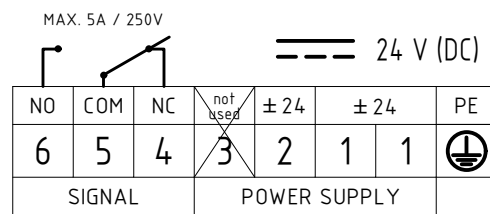
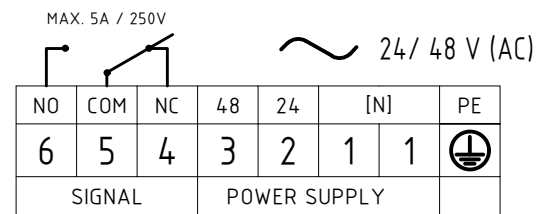
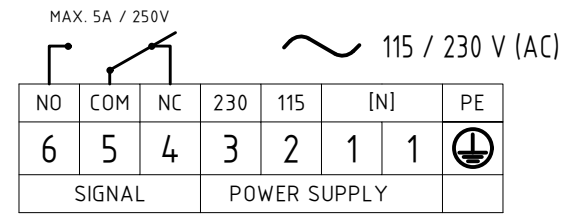
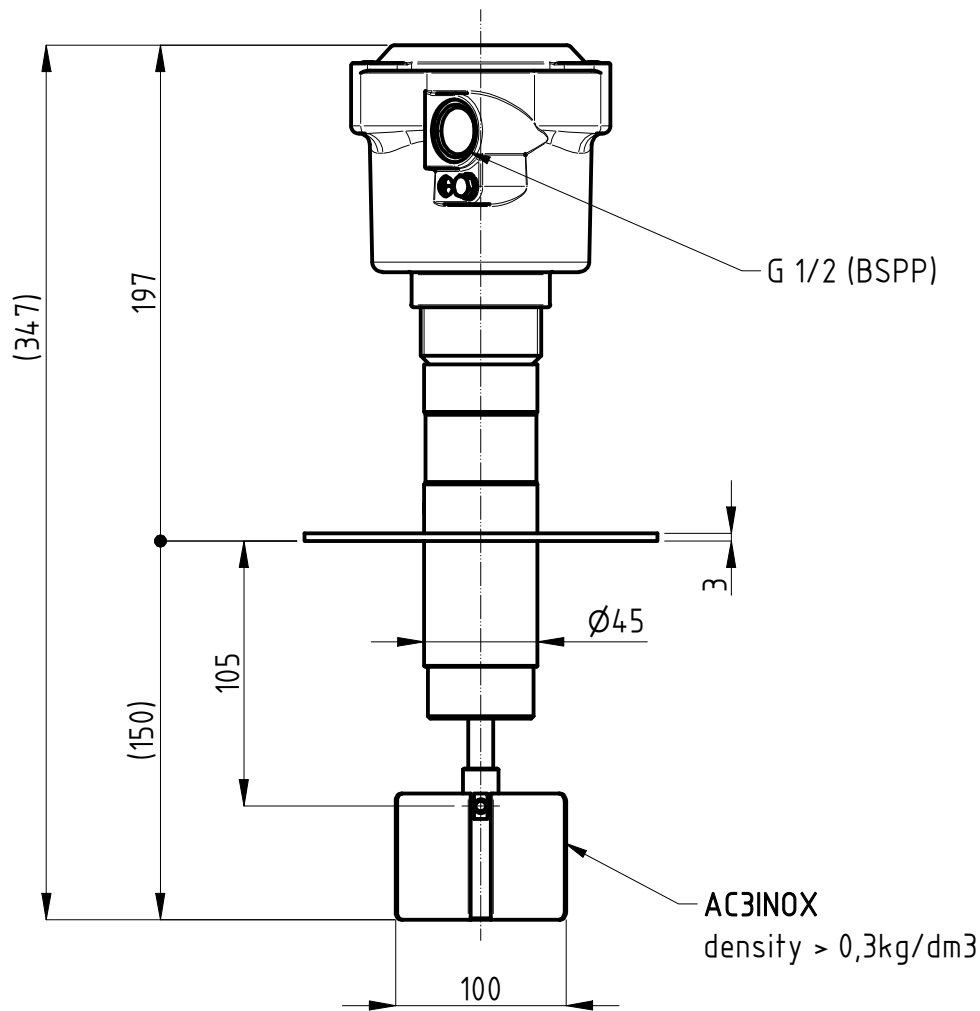
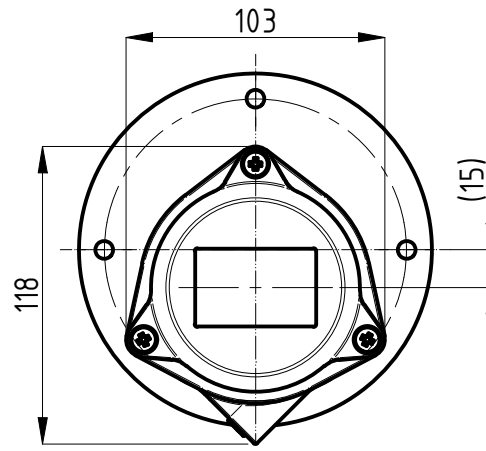
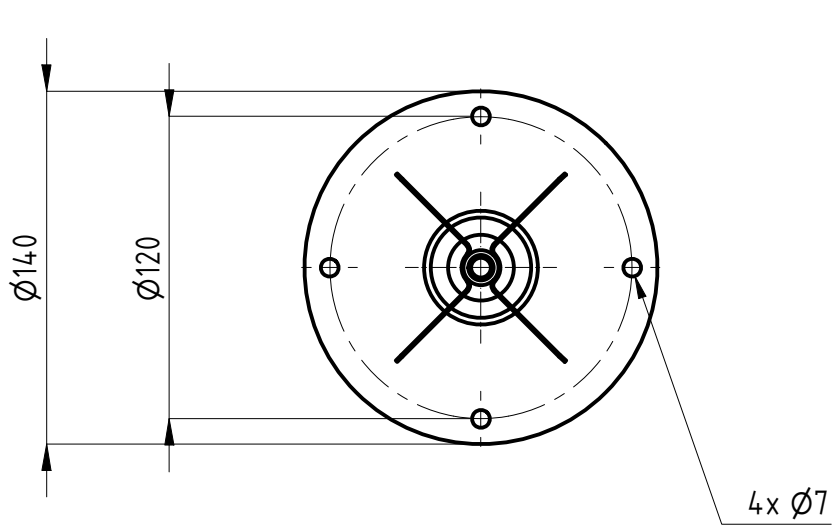
GENERAL TOL.: ISO 2768-mH

UNLESS OTHERWISE SPECIFIED DRAWING FROM CAD SYSTEM - REFER TO 3D MODEL FOR MISSING DIMENSION - NO MANUAL MODIFICATION ALLOWED

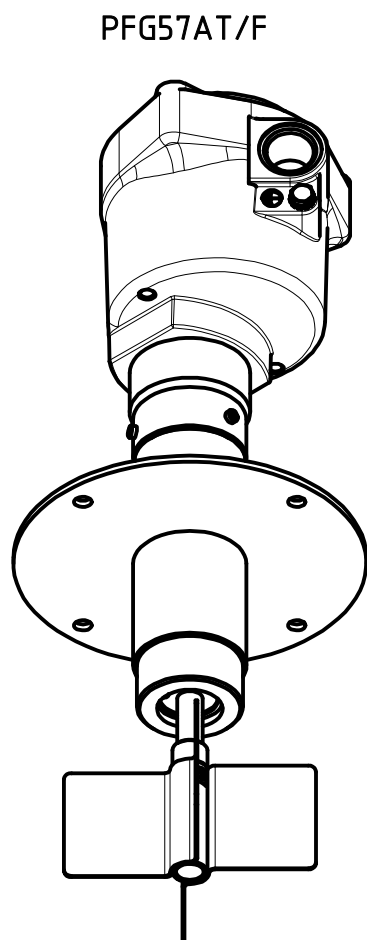
SCALE: 1:3

DRAWN NR DATE 21.09.2021

SIZE UNI A3



Terminals : male FASTON (.250 series / 6,3x0,8 mm)

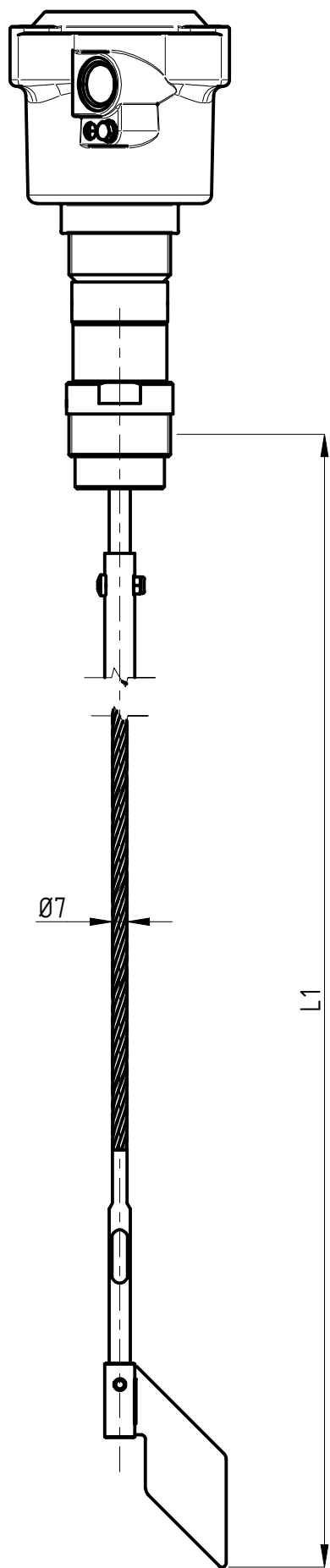


Model	PFG57AT/F
Weight	1,4 [kg]
Power supply	- Bivoltage 115/230[V] (50...60Hz) - 4[W] - Bivoltage 24/48[V] (50...60Hz) - 4[W] - DC 24[V] ±15% - 4[W]
Signal	SPDT / max. 5[A]-250VAC
IP grade	IP65
Housing	Aluminium (powder coated)
Connection	Flange - AISI304
Ambient temperature	-20 < Ta < +70 [°C] -40 < Ta < +70 [°C] <i>LOW TEMPERATURE versions only (PFG.../B)</i>
Process temperature	-20 < Tp < +200 [°C] -40 < Tp < +200 [°C] <i>LOW TEMPERATURE versions only (PFG.../B)</i>
Pressure range	+0,8 ... +1,1 bar [abs]
Directives	2011/65/EU (RoHS) 2014/30/EU (EMC) 2014/34/EU (ATEX) 2014/35/EU (LVD)
Ex Marking	Ex II 1/2 D Ex ta/tb IIIC T85°C Da/Db

<p>© CAMLogic Via dell'Industria 12 42025 Cavriago (RE) - ITALY www.camlogic.it</p>		DRAWING N.	SHEET:
		0602_008_0	2 OF 5
GENERAL TOL.: ISO 2768-mH	UNLESS OTHERWISE SPECIFIED DIMENSION ARE IN [mm]	DRAWING FROM CAD SYSTEM - REFER TO 3D MODEL FOR MISSING DIMENSION - NO MANUAL MODIFICATION ALLOWED	SCALE: 1:3
			DRAWN NR DATE 21.09.2021

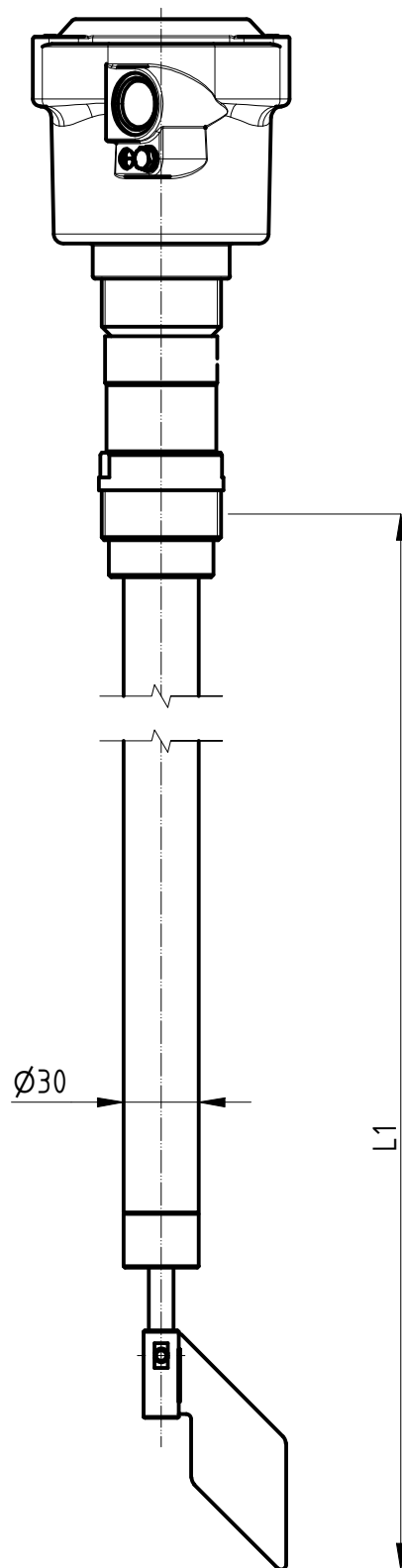
EXTENSIONS

Flexible extension
PF : galvanized steel



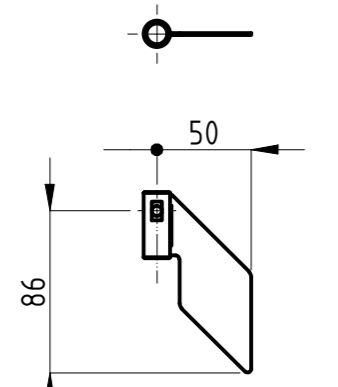
L1 [mm]
500
600
700
800
900
1000
1200
1500
2000
2500
3000
4000
5000
6000
7000
8000
9000
10000
11000
12000
other lengths available on request, up to 12m

Extension with external protection
PA : stainless steel

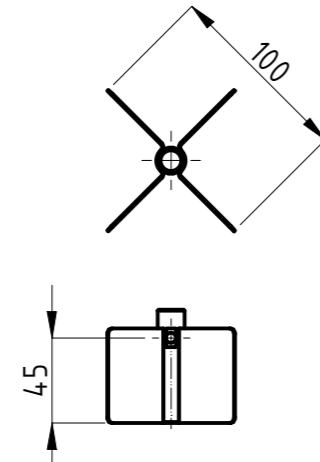


L1 [mm]
250
300
350
400
450
500
550
600
650
700
750
800
850
900
950
1000
1050
1100
1150
1200
1250
1300
1350
1400
1450
1500
other lengths available on request, up to 1,5m

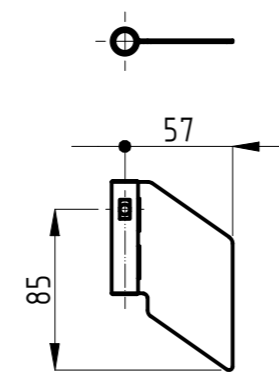
NOTE : lenghts may slightly differ from the tables
according to the type of connection, model type and
paddle chosen



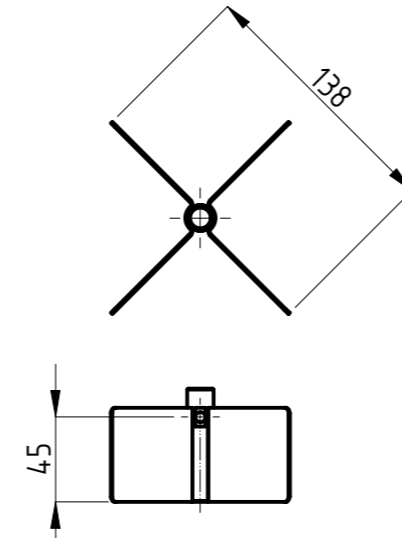
AC1 INOX
AISI 304
density > 1.0 kg/dm³



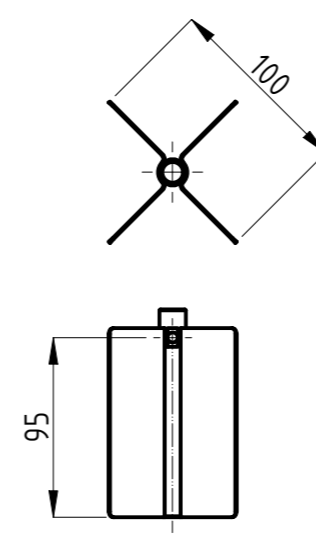
AC3 INOX
AISI 304
density > 0.3 kg/dm³



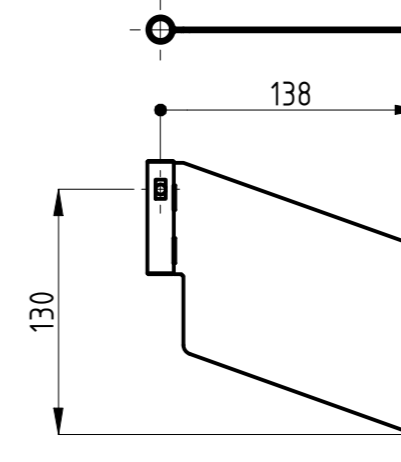
AC4 INOX
AISI 304
density > 0.5 kg/dm³



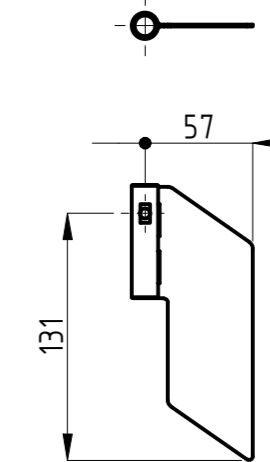
AC5 INOX
AISI 304
density > 0.2 kg/dm³



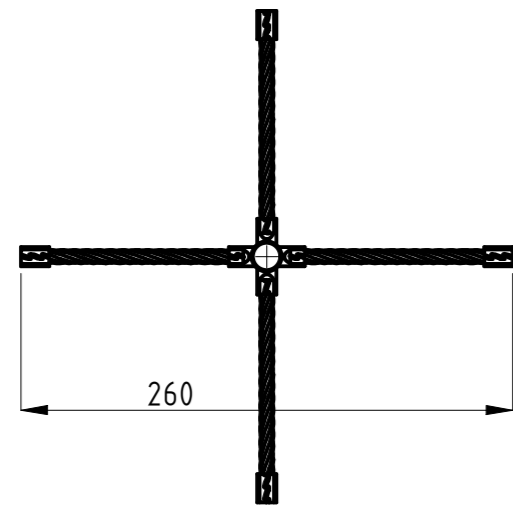
AC5L INOX
AISI 304
density > 0.2 kg/dm³



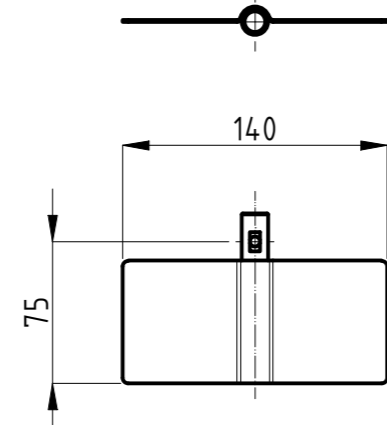
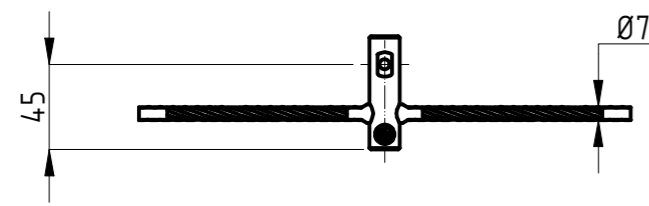
AC6 INOX
AISI 304
density > 0.1 kg/dm³



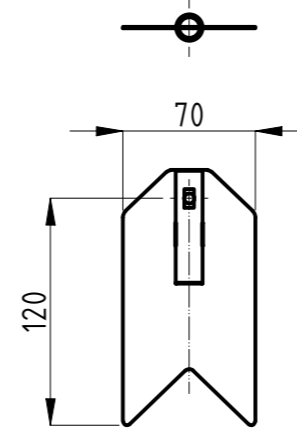
AC7 INOX
AISI 304
density > 0.3 kg/dm³



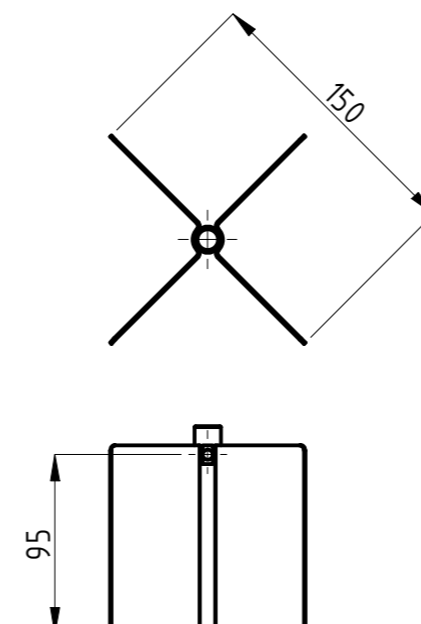
AC8
galvanized steel (wires)
density > 2.0 kg/dm³



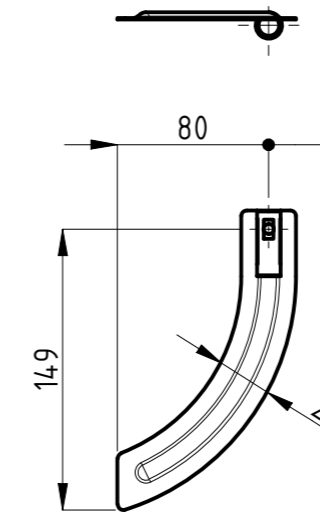
AC9 INOX
AISI 304
density > 0.2 kg/dm³



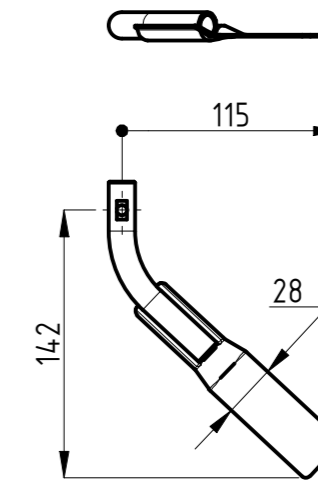
AC10 INOX
AISI 304
density > 0.6 kg/dm³



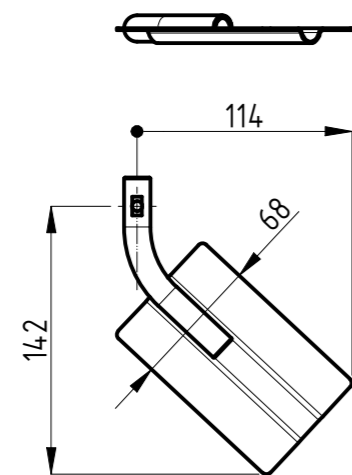
AC11 INOX
AISI 304
density > 0.1 kg/dm³



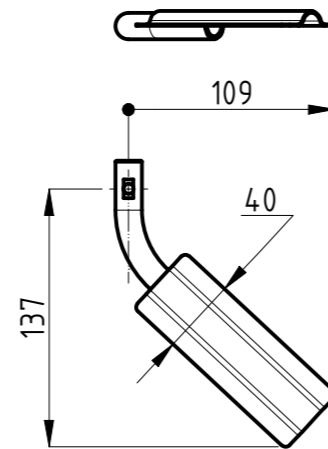
AC12 INOX
AISI 304
density > 0.4 kg/dm³



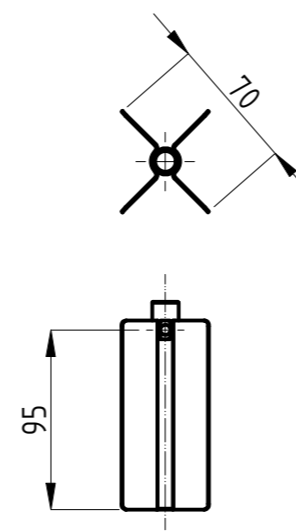
AC14 INOX
AISI 304
density > 0.4 kg/dm³



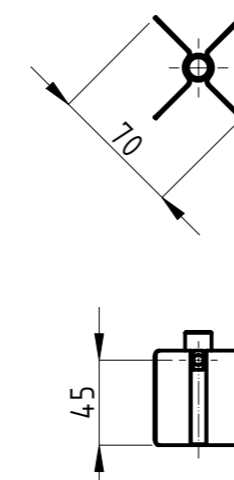
AC15 INOX
AISI 304
density > 0.2 kg/dm³



AC16 INOX
AISI 304
density > 0.3 kg/dm³



AC17 INOX
AISI 304
density > 0.4 kg/dm³



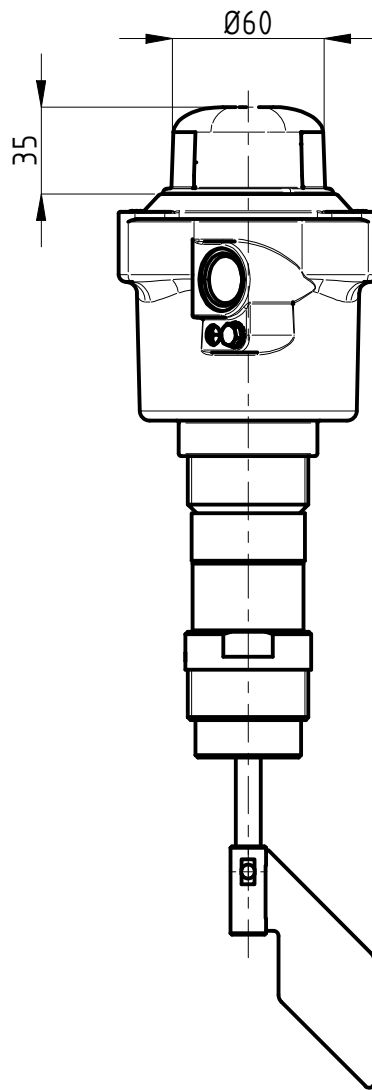
AC18 INOX
AISI 304
density > 0.7 kg/dm³

OPTIONS

SIGNAL LAMP (PFG57.../L)

Adds a LED lamp on top. The lamp could be connected to NC contact (MIN level - empty), or NO contact (MAX level - full).

Must define a single power supply voltage:
 24[V]
 48[V]
 115[V]
 230[V]

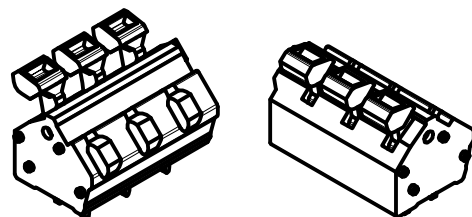


4rpm GEARMOTOR (4R)

Increase paddle speed (4 rpm) to reduce product detection delay time (response time ~ 1,5s)

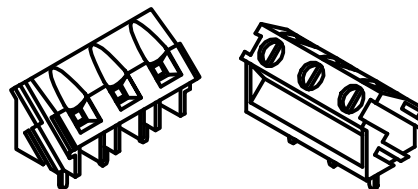
SPRING TERMINAL BLOCK

Terminals with spring terminal design. No tool needed for wires connection. 0,13 - 2,5mm² (AWG26 - AWG14)



SCREW TERMINAL BLOCK

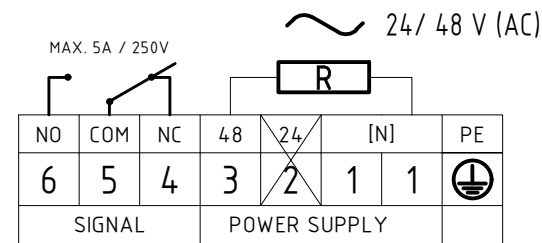
Terminals with screw terminal design (flat head) 0,05 - 2,5mm² (AWG30 - AWG12)



LOW TEMPERATURE (PFG57.../B)

Extends the range of use of the indicator down to a minimum temperature of -40 °C
 Intelligent automatic operation: when the temperature exceeds + 20 °C it stops heating (heating OFF), it is reactivated when the temperature falls again below + 20 °C (heating ON)

Must define a single power supply voltage:
 24[V]
 48[V]
 115[V]
 230[V]



e.g 48V Heater
 T > 20°C / P = 0.5W
 T < 20°C / P = 6.5W