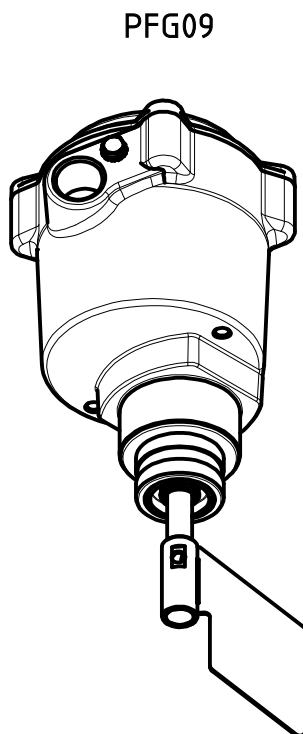
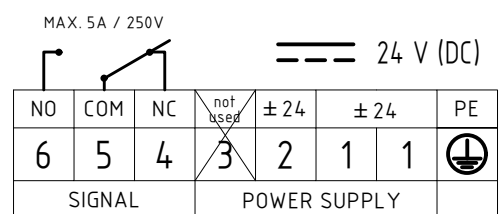
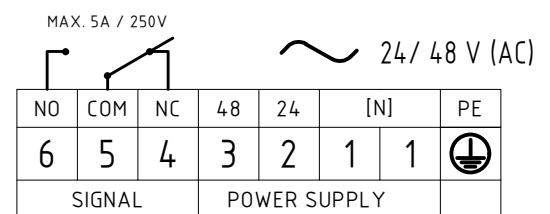
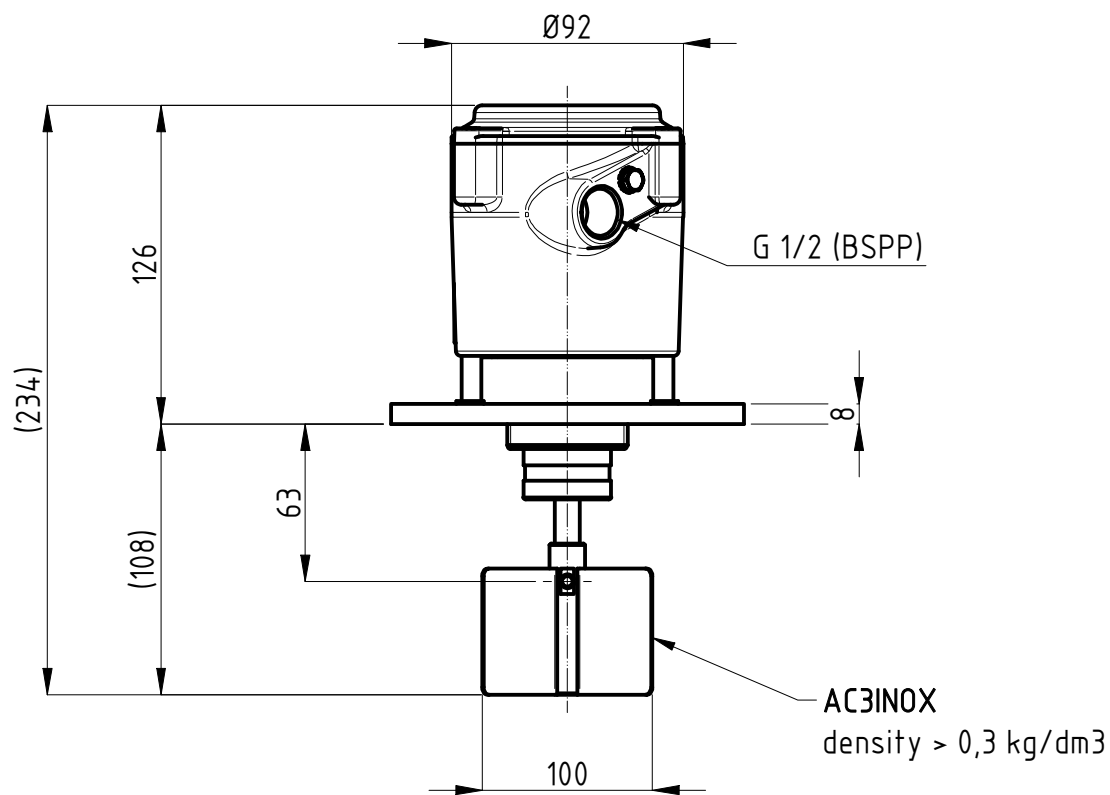
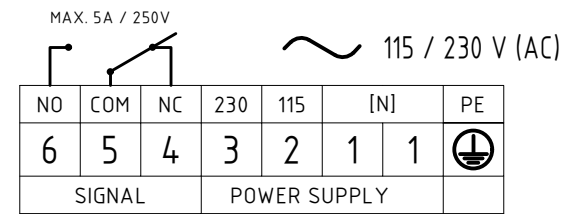
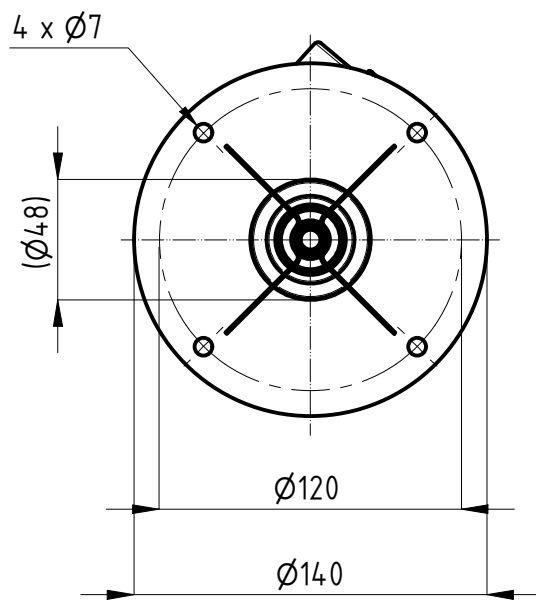


Terminals : male FASTON (.250 series / 6,3x0,8 mm)

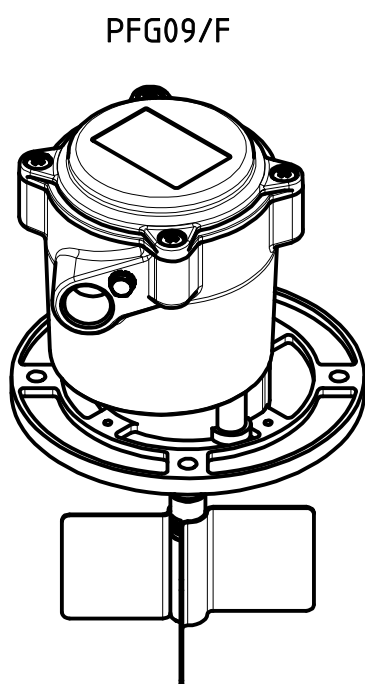
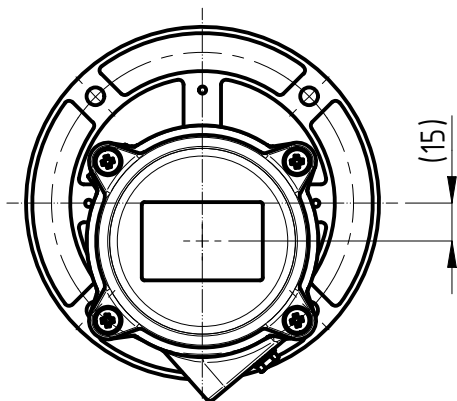


Model	PFG09
Weight	0,9 [kg]
Power supply	- Bivoltage 115/230[V] (50...60Hz) - 4[W] - Bivoltage 24/48[V] (50...60Hz) - 4[W] - DC 24[V] ±15% - 4[W]
Signal	SPDT / max. 5[A]-250VAC
IP grade	IP65
Housing	Aluminium (powder coated)
Connection	G1" 1/2 - Aluminium
Ambient temperature	-20 < Ta < +70 [°C]
Process temperature	-20 < Tp < +70 [°C]
Pressure range	+0,8 ... +1,1 bar [abs]
Directives	2011/65/EU (RoHS) 2014/30/EU (EMC) 2014/34/EU (ATEX) 2014/35/EU (LVD)
Ex Marking	Ex II 1/2 D Ex ta/tb IIIC T85°C IP65 Da/Db Ex II 2 G Ex d IIB T6 Gb

<p>© CAMLogic</p> <p>Via dell'Industria 12 42025 Cavriago (RE) - ITALY www.camlogic.it</p>		DRAWING N.	SHEET:
		0602_010_0	1 OF 5
GENERAL TOL.: ISO 2768-mH	UNLESS OTHERWISE SPECIFIED DIMENSION ARE IN [mm]	DRAWING FROM CAD SYSTEM - REFER TO 3D MODEL FOR MISSING DIMENSION - NO MANUAL MODIFICATION ALLOWED	REV: 0
		SCALE: 1:3	DRAWN NR DATE 21.09.2021



Terminals : male FASTON (.250 series / 6,3x0,8 mm)



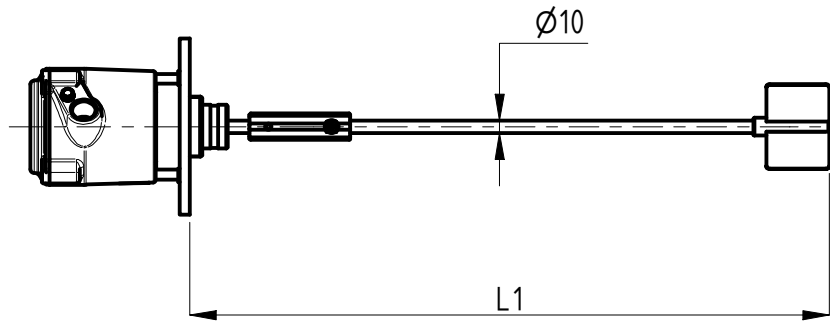
Model	PFG09/F
Weight	1,2 [kg]
Power supply	- Bivoltage 115/230[V] (50...60Hz) - 4[W] - Bivoltage 24/48[V] (50...60Hz) - 4[W] - DC 24[V] ±15% - 4[W]
Signal	SPDT / max. 5[A]-250VAC
IP grade	IP65
Housing	Aluminium (powder coated)
Connection	Flange - Aluminium
Ambient temperature	-20 < Ta < +70 [°C]
Process temperature	-20 < Tp < +70 [°C]
Pressure range	+0,8 ... +1,1 bar [abs]
Directives	2011/65/EU (RoHS) 2014/30/EU (EMC) 2014/34/EU (ATEX) 2014/35/EU (LVD)
Ex Marking	Ex II 1/2 D Ex ta/tb IIIC T85°C IP65 Da/Db Ex II 2 G Ex d IIB T6 Gb

<p>® CAMLogic</p> <p>Via dell'Industria 12 42025 Cavriago (RE) - ITALY www.camlogic.it</p>		DRAWING N.	SHEET:
		0602_010_0	2 OF 5
GENERAL TOL.: ISO 2768-mH	UNLESS OTHERWISE SPECIFIED DIMENSION ARE IN [mm]	DRAWING FROM CAD SYSTEM - REFER TO 3D MODEL FOR MISSING DIMENSION - NO MANUAL MODIFICATION ALLOWED	SCALE: 1:3
			REV: 0 DATE 21.09.2021

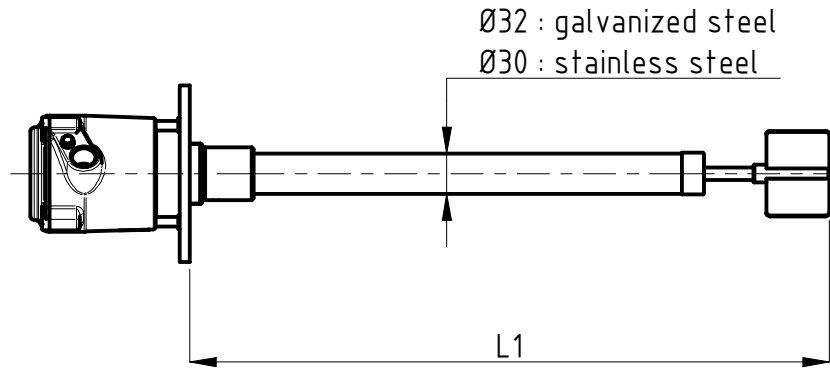
EXTENSIONS

L1 [mm]

Extension w/o protection
 PSP : galvanized steel
 PSPX : stainless steel



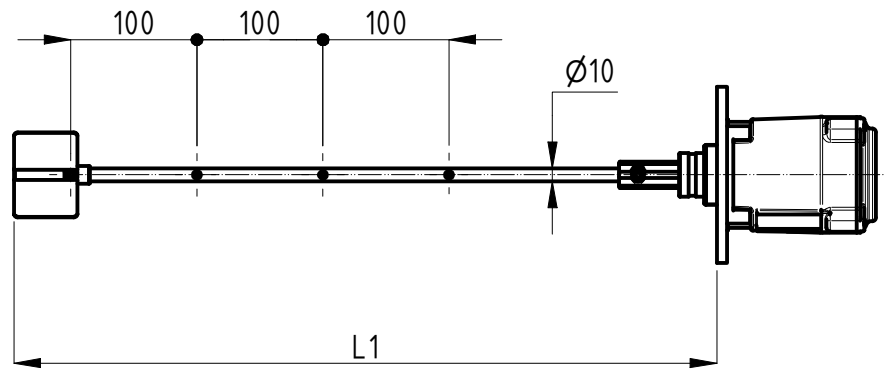
Extension with external protection
 PCP : galvanized steel
 PCPX : stainless steel



200
300
400
500
600
700
800
900
1100
1400
1700
1900
2400
2900
other lengths available on request, up to 3m

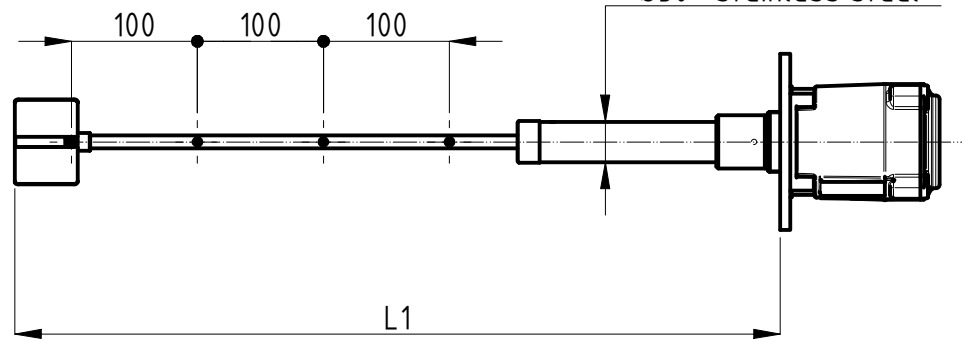
L1 [mm]

500
600
700
800
900
1100
1400
1700
1900
2400
2900
other lengths available on request, up to 3m



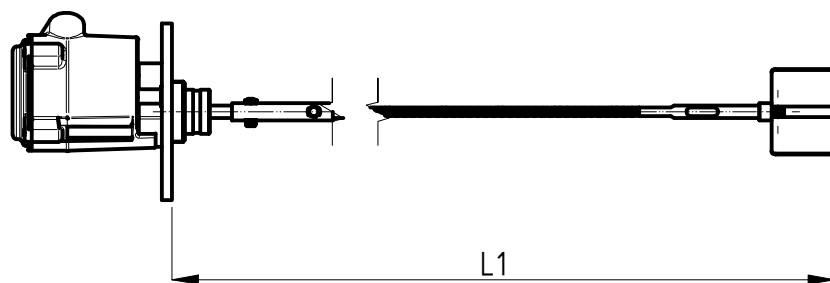
Adjustable extension w/o protection
 PRS : galvanized steel
 PRSX : stainless steel

Ø32 : galvanized steel
 Ø30 : stainless steel



Extension with external protection
 PRP : galvanized steel
 PRPX : stainless steel

Flexible extension
 PF : galvanized steel



L1 [mm]

500
600
700
800
900
1000
1200
1500
2000
2500
3000
4000

L1 [mm]

5000
6000
7000
8000
9000
10000
11000
12000
other lengths available on request, up to 12m

NOTE : lenghts may slightly differ from the tables according to the type of connection, model and paddle chosen

CAMLogic
 Via dell'Industria 12
 42025 Cavriago (RE) - ITALY
 www.camlogic.it

CAMLOGIC

DRAWING N. **0602_010_0**

SHEET: 3 OF 5

REV: 0

GENERAL TOL.: ISO 2768-mH

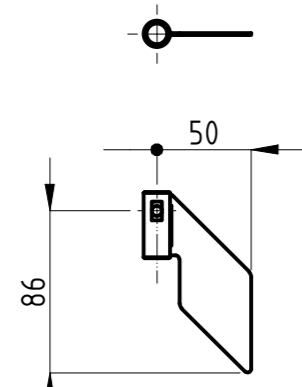
UNLESS OTHERWISE SPECIFIED DIMENSION ARE IN [mm]

DRAWING FROM CAD SYSTEM - REFER TO 3D MODEL FOR MISSING DIMENSION - NO MANUAL MODIFICATION ALLOWED

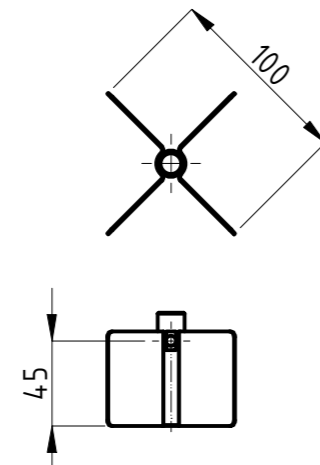
SCALE: 1:6

DRAWN NR DATE 30.09.2021

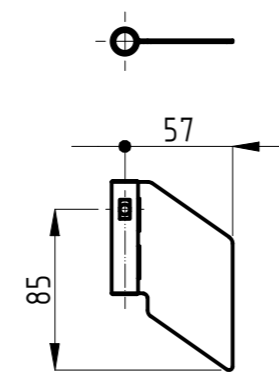
SIZE UNI A3



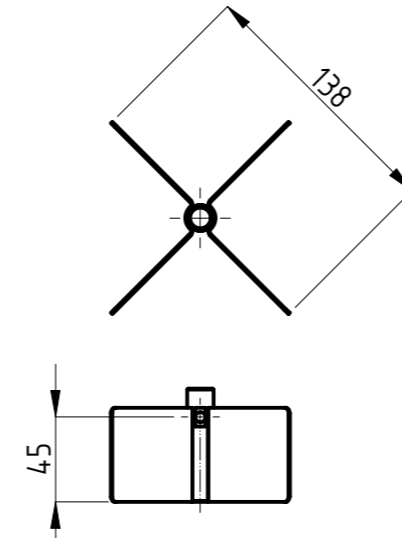
AC1 INOX
AISI 304
density > 1.0 kg/dm³



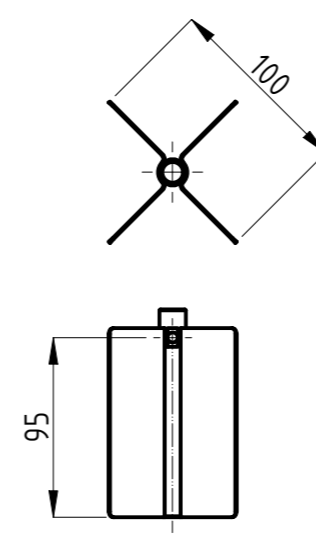
AC3 INOX
AISI 304
density > 0.3 kg/dm³



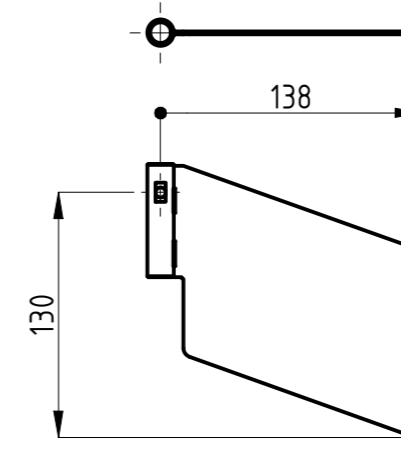
AC4 INOX
AISI 304
density > 0.5 kg/dm³



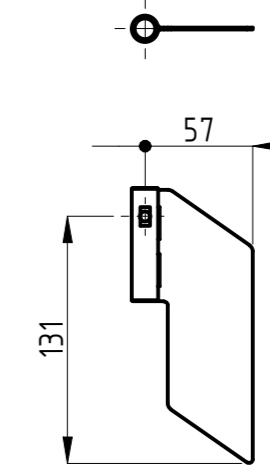
AC5 INOX
AISI 304
density > 0.2 kg/dm³



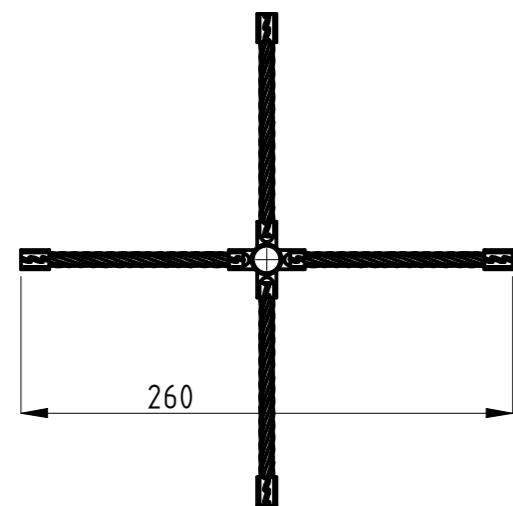
AC5L INOX
AISI 304
density > 0.2 kg/dm³



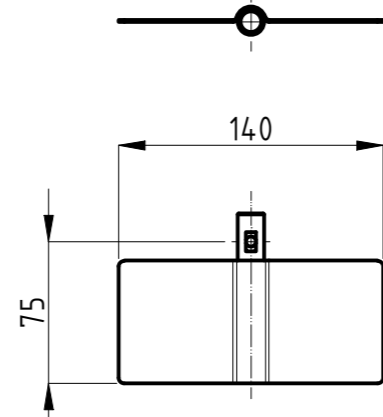
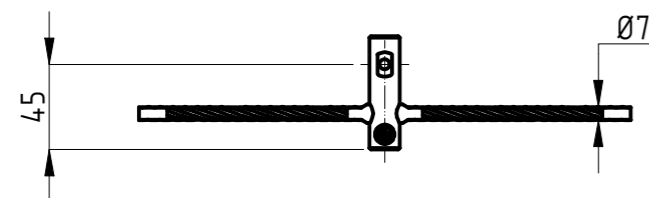
AC6 INOX
AISI 304
density > 0.1 kg/dm³



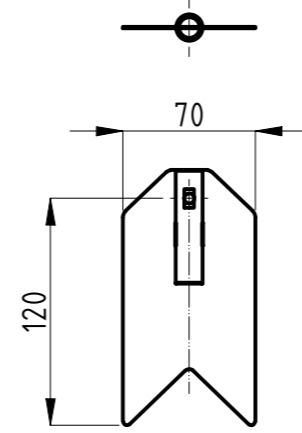
AC7 INOX
AISI 304
density > 0.3 kg/dm³



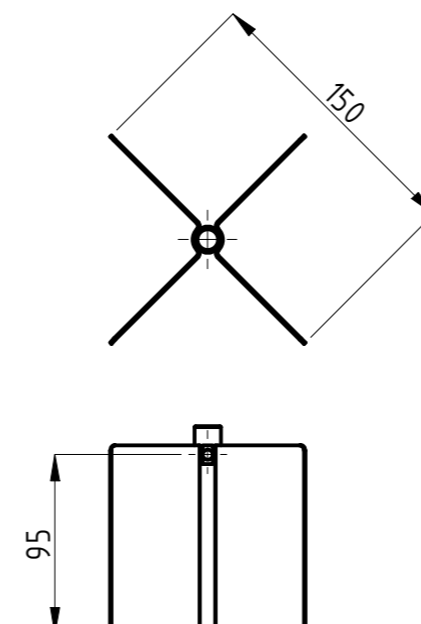
AC8
galvanized steel (wires)
density > 2.0 kg/dm³



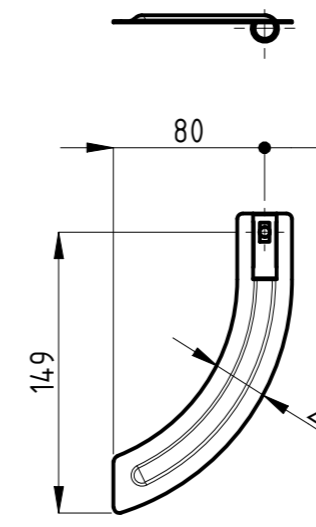
AC9 INOX
AISI 304
density > 0.2 kg/dm³



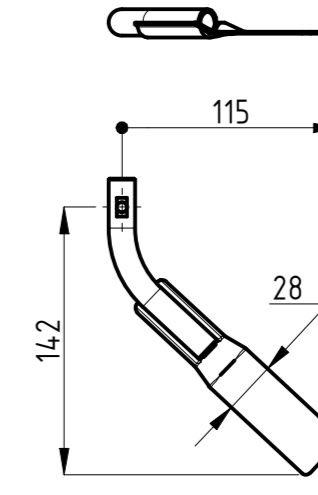
AC10 INOX
AISI 304
density > 0.6 kg/dm³



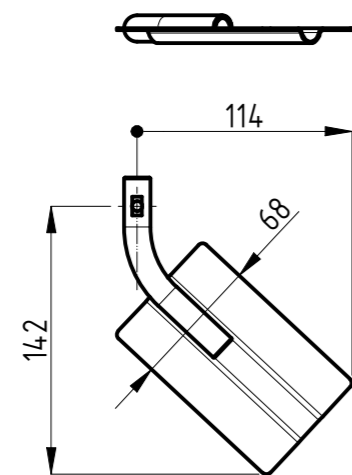
AC11 INOX
AISI 304
density > 0.1 kg/dm³



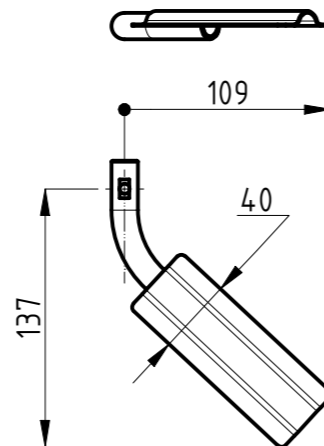
AC12 INOX
AISI 304
density > 0.4 kg/dm³



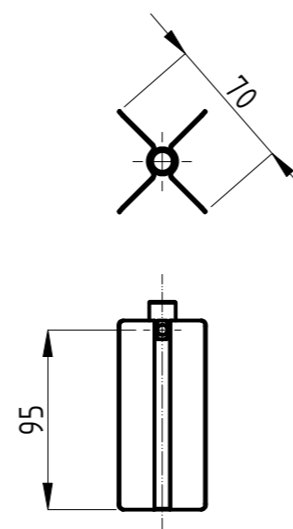
AC14 INOX
AISI 304
density > 0.4 kg/dm³



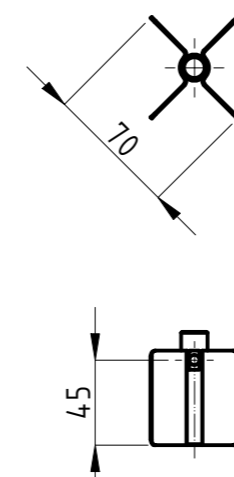
AC15 INOX
AISI 304
density > 0.2 kg/dm³



AC16 INOX
AISI 304
density > 0.3 kg/dm³



AC17 INOX
AISI 304
density > 0.4 kg/dm³

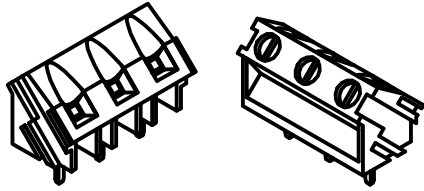


AC18 INOX
AISI 304
density > 0.7 kg/dm³

OPTIONS

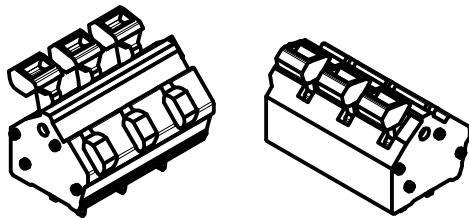
SCREW TERMINAL BLOCK

Terminals with screw terminal design
(flat head)
0,05 - 2,5mm² (AWG30 - AWG12)



SPRING TERMINAL BLOCK

Terminals with spring terminal design.
No tool needed for wires connection.
0,13 - 2,5mm² (AWG26 - AWG14)



4rpm GEARMOTOR (4R)

Increase paddle speed (4 rpm) to reduce product
detection delay time (response time ~ 1,5s)

® CAMLogic Via dell'Industria 12 42025 Cavriago (RE) - ITALY www.camlogic.it	CAM LOGIC ®	DRAWING N.	0602_010_0	SHEET:	5 OF 5
		GENERAL TOL.: ISO 2768-mH	UNLESS OTHERWISE SPECIFIED DIMENSION ARE IN [mm]	DRAWING FROM CAD SYSTEM - REFER TO 3D MODEL FOR MISSING DIMENSION - NO MANUAL MODIFICATION ALLOWED	SCALE: 1:1
				DRAWN NR	DATE
					19.10.2021

SIZE UNI A4