



Solids



## LEVEL INDICATOR

# PFG09

Product Line: **Rotary**

Flameproof level gauge manufactured according to ATEX rules. Designed for plants or rooms where, owing to chemical processing or particular products, flammable and explosive tunings may develop, making it dangerous to use electric operating units not properly designed for this purpose.

### ADVANTAGES

- An **EASY TO INSTALL** instrument that does not require any calibration, maintenance or specific tool for its installation.
- Thanks to the wide choice of paddles, all of which are interchangeable, it is **ADAPTABLE** to the different densities of the measured materials.
- Extremely **VERSATILE**, it can be installed on tanks, hoppers, on walls or roofs of silos, in a vertical, horizontal or oblique position.
- **CUSTOMIZABLE** with paddles, extensions, voltages.
- **DURABLE** and **RELIABLE** with aluminium casing, stainless steel shaft on ball bearings and electrical connection via anti-vibration faston terminals. Works with ambient temperatures from -20° to +70°C.
- On request:  
**4 RPM**: a faster rotation of the paddle reduces the intervention time of the level indicator.



**IECEX - ATEX**  
**DUST ZONE 20/21**  
**GAS ZONE 1/2**

## AVAILABLE VERSIONS



**PFG09Z**



Food product



Corrosives

All parts in contact with the product are made with stainless steel.



**IECEX - ATEX**  
**DUST ZONE 20/21**  
**GAS ZONE 0/1**



**PFG09ZF**



Corrosives



High temperature

All parts in contact with the product are made with stainless steel. For temperatures up to 200°C.



**IECEX - ATEX**  
**DUST ZONE 20/21**  
**GAS ZONE 0/1**

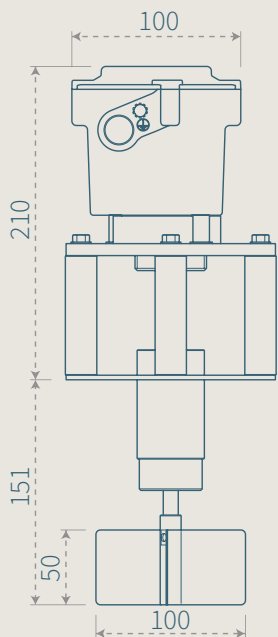
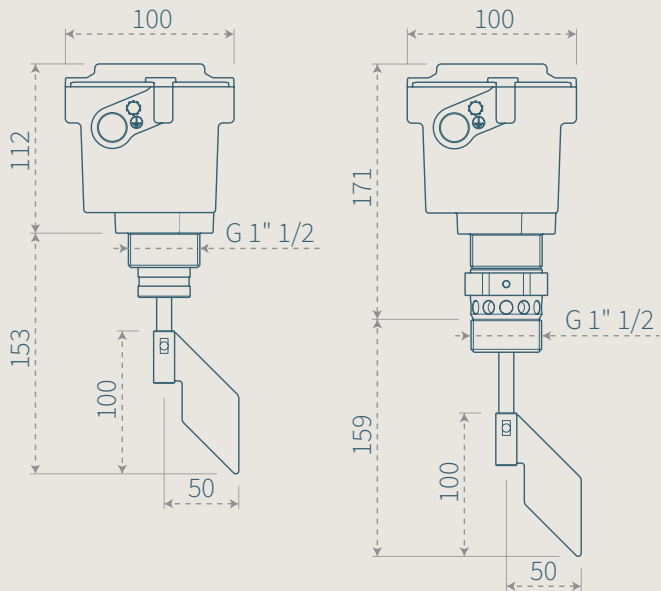
# LEVEL INDICATOR

# PFG09



Solids

Product Line: **Rotary**



## Customizations



115/230V AC



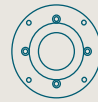
24/48V AC



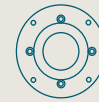
24V DC



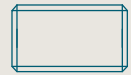
4 RPM



Aluminium  
flange



Stainless steel  
flange



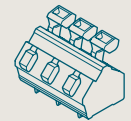
Stainless steel  
sleeve G 2" 1/2



Faston  
terminals  
(standard)



Screw  
terminal blocks



Spring  
terminal blocks

## Extensions

In stainless steel.

- With protection, up to **3000 mm**

## Compatible paddles

For information on the range of available paddles, refer to the dedicated brochure.

