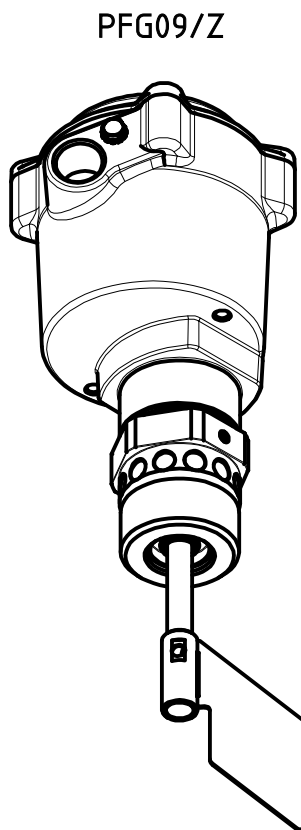
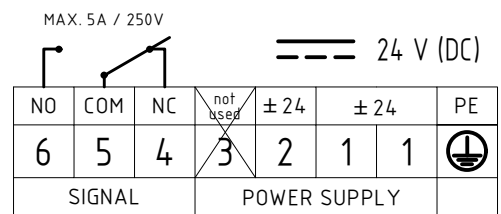
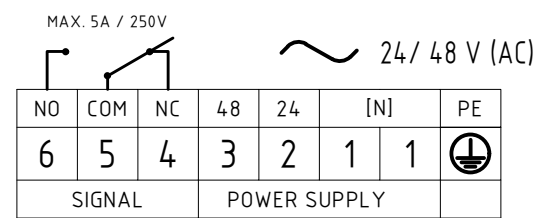
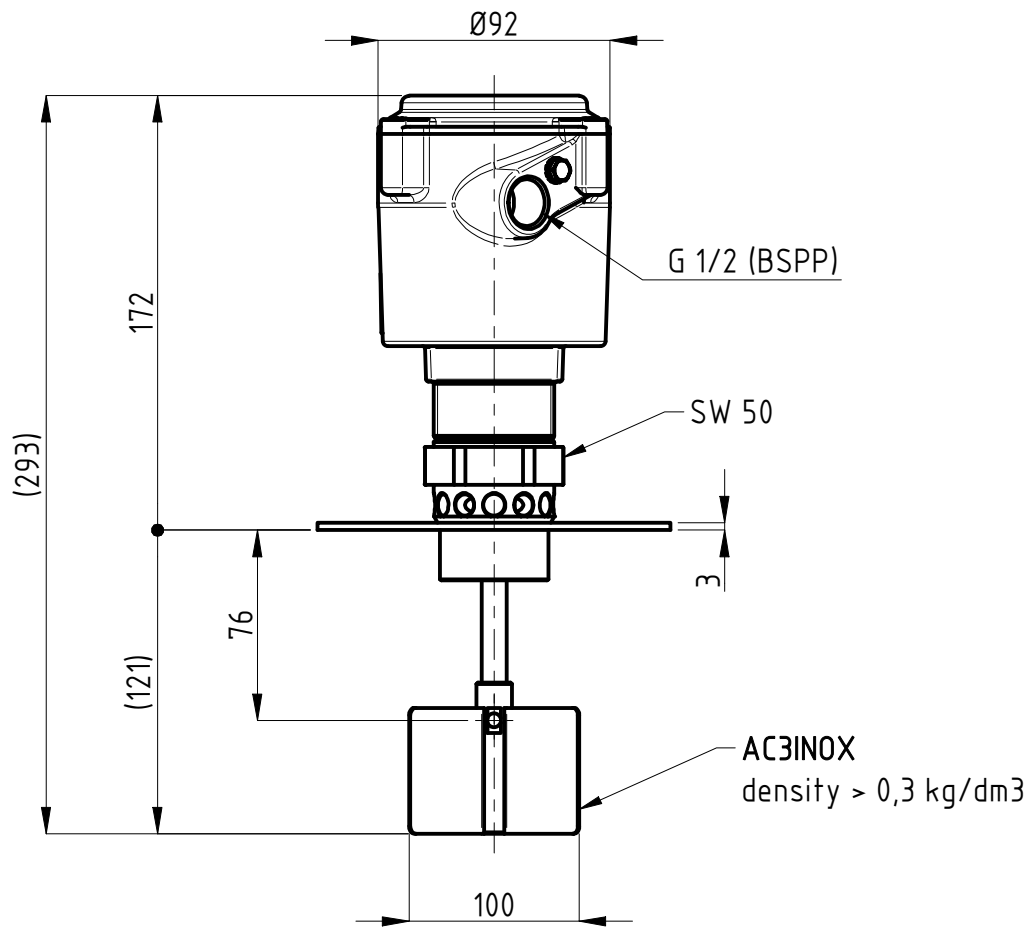
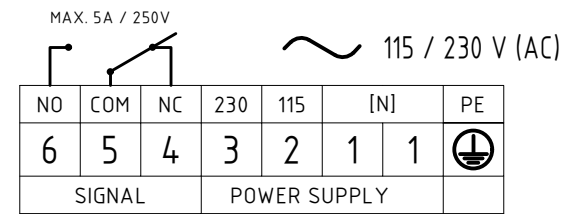
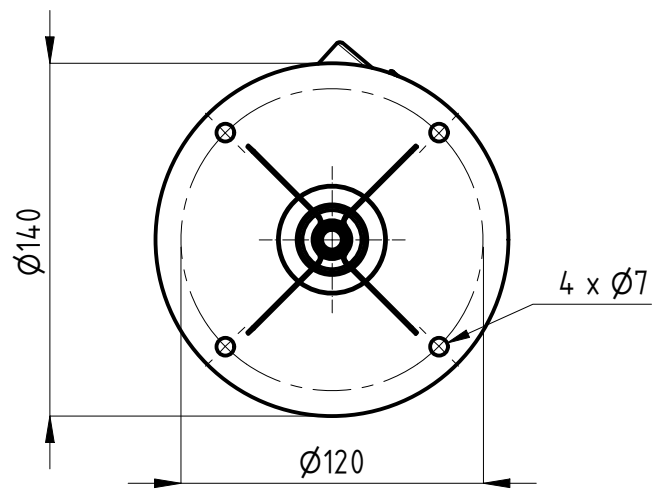


Terminals : male FASTON (.250 series / 6,3x0,8 mm)

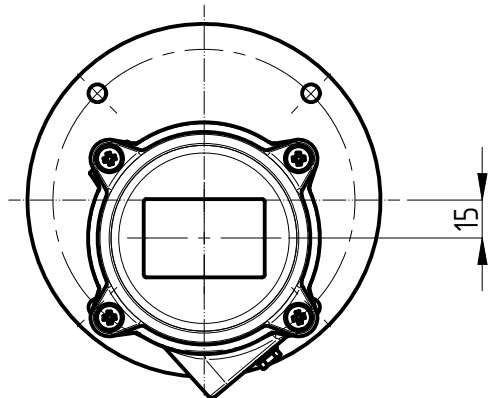


Model	PFG09Z
Weight	1,6 [kg]
Power supply	- Bivoltage 115/230[V] (50...60Hz) - 4[W] - Bivoltage 24/48[V] (50...60Hz) - 4[W] - DC 24[V] ±15% - 4[W]
Signal	SPDT / max. 5[A]-250VAC
IP grade	IP65
Housing	Aluminium (powder coated)
Connection	G1" 1/2 - AISI304
Ambient temperature	-20 < Ta < +70 [°C]
Process temperature	-20 < Tp < +70 [°C]
Pressure range	+0,8 ... +1,1 bar [abs]
Directives	2011/65/EU (RoHS) 2014/30/EU (EMC) 2014/34/EU (ATEX) 2014/35/EU (LVD)
Ex Marking	Ex II 1/2 D Ex ta/tb IIIC T85°C IP65 Da/Db Ex II 1/2 G Ex d IIB T6 Ga/Gb

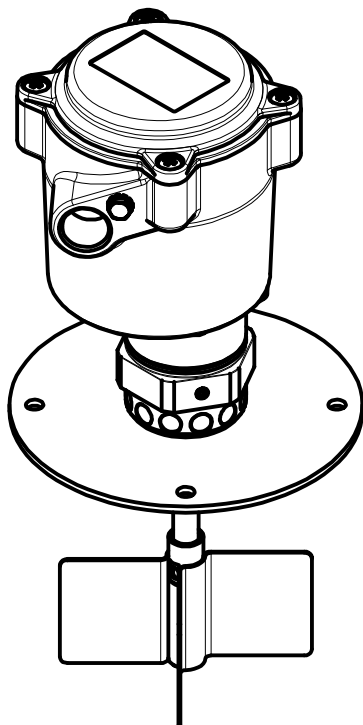
<p>® CAMLogic</p> <p>Via dell'Industria 12 42025 Cavriago (RE) - ITALY www.camlogic.it</p>		DRAWING N.	SHEET:
		0602_011_0	1 OF 5
GENERAL TOL.: ISO 2768-mH	UNLESS OTHERWISE SPECIFIED DIMENSION ARE IN [mm]	DRAWING FROM CAD SYSTEM - REFER TO 3D MODEL FOR MISSING DIMENSION - NO MANUAL MODIFICATION ALLOWED	REV: 0
		SCALE: 1:3	DRAWN NR DATE 21.09.2021



Terminals : male FASTON (.250 series / 6,3x0,8 mm)



PFG09/Z/F



Model	PFG09/Z/F
Weight	1,5 [kg]
Power supply	- Bivoltage 115/230[V] (50...60Hz) - 4[W] - Bivoltage 24/48[V] (50...60Hz) - 4[W] - DC 24[V] ±15% - 4[W]
Signal	SPDT / max. 5[A]-250VAC
IP grade	IP65
Housing	Aluminium (powder coated)
Connection	Inox - AISI304
Ambient temperature	-20 < Ta < +70 [°C]
Process temperature	-20 < Tp < +70 [°C]
Pressure range	+0,8 ... +1,1 bar [abs]
Directives	2011/65/EU (RoHS) 2014/30/EU (EMC) 2014/34/EU (ATEX) 2014/35/EU (LVD)
Ex Marking	Ex II 1/2 D Ex ta/tb IIIC T85°C IP65 Da/Db Ex II 1/2 G Ex d IIB T6 Ga/Gb

<p>® CAMLogic</p> <p>Via dell'Industria 12 42025 Cavriago (RE) - ITALY www.camlogic.it</p>		<p>DRAWING N.</p> <p>0602_011_0</p>	<p>SHEET:</p> <p>2 OF 5</p>
			<p>REV: 0</p>
<p>GENERAL TOL.: ISO 2768-mH</p>	<p>UNLESS OTHERWISE SPECIFIED DIMENSION ARE IN [mm]</p>	<p>DRAWING FROM CAD SYSTEM - REFER TO 3D MODEL FOR MISSING DIMENSION - NO MANUAL MODIFICATION ALLOWED</p>	<p>SCALE: 1:3</p>
			<p>DRAWN NR</p> <p>DATE 21.09.2021</p>

EXTENSIONS

L1 [mm]

200

300

400

500

600

700

800

900

1100

1400

1700

1900

2400

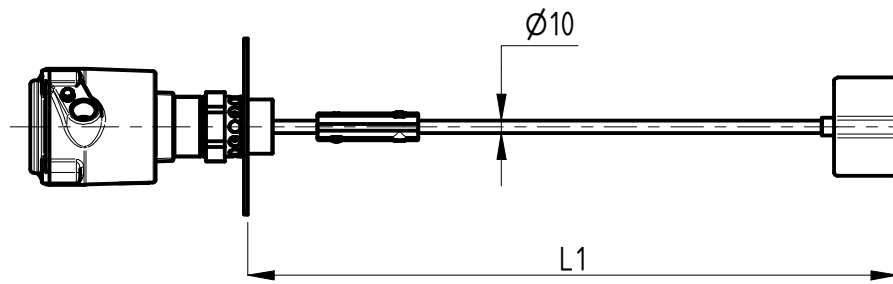
2900

other lengths available on request, up to 3m

Extension w/o protection

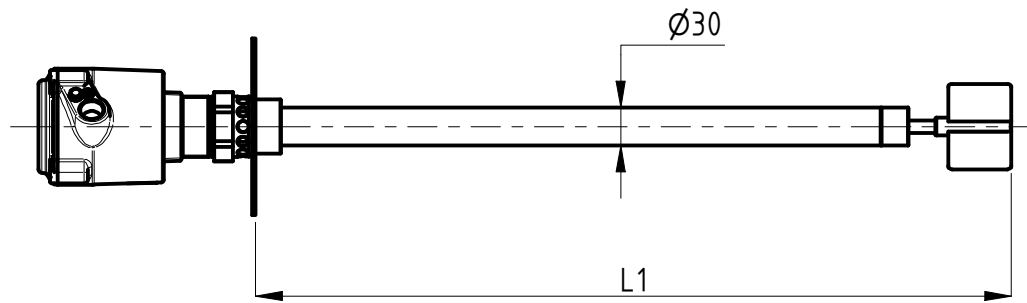
PSP : galvanized steel

PSPX : stainless steel



Extension with external protection

PCPX : stainless steel



L1 [mm]

500

600

700

800

900

1100

1400

1700

1900

2400

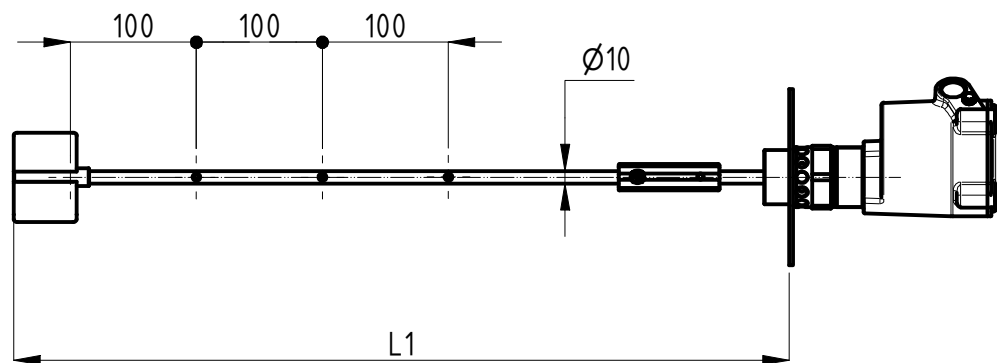
2900

other lengths available on request, up to 3m

Adjustable extension w/o protection

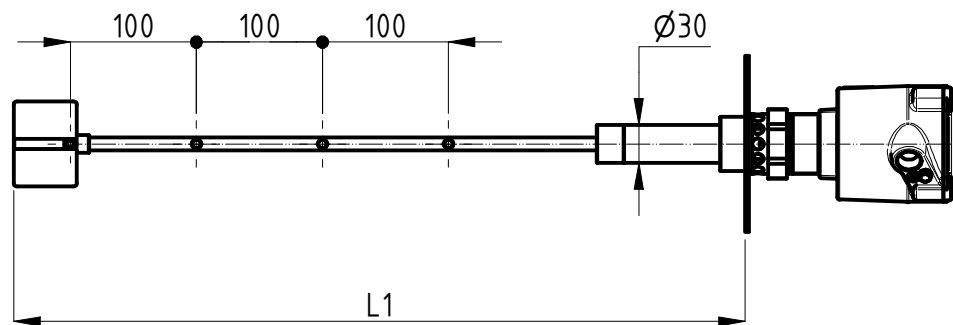
PRS : galvanized steel

PRSX : stainless steel



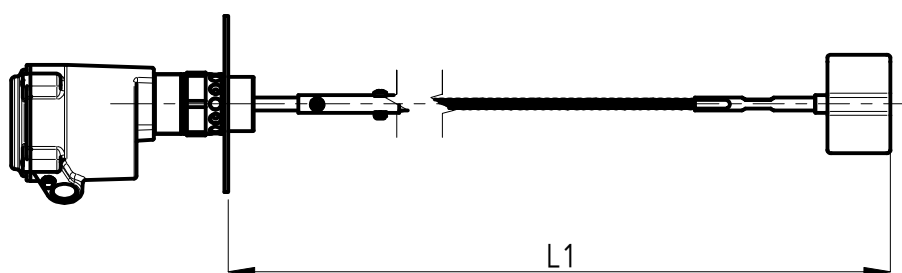
Extension with external protection

PRPX : stainless steel



Flexible extension

PF : galvanized steel



L1 [mm]

500

600

700

800

900

1000

1200

1500

2000

2500

3000

4000

L1 [mm]

5000

6000

7000

8000

9000

10000

11000

12000

other lengths available on request, up to 12m

NOTE : lengths may slightly differ from the tables according to the type of connection, model and paddle chosen

CAMLogic
Via dell'Industria 12
42025 Cavriago (RE) - ITALY
www.camlogic.it

CAMLOGIC

DRAWING N. **0602_011_0**

SHEET: **3 OF 5**

REV: **0**

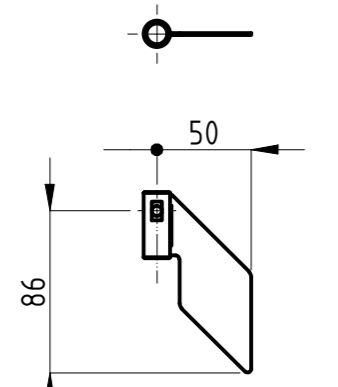
GENERAL TOL.: ISO 2768-mH

UNLESS OTHERWISE SPECIFIED DRAWING FROM CAD SYSTEM - REFER TO 3D MODEL FOR MISSING DIMENSION - NO MANUAL MODIFICATION ALLOWED

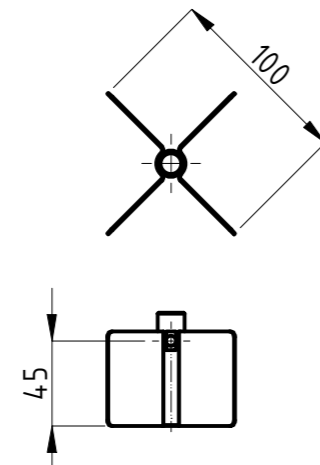
SCALE: **1:6**

DRAWN NR DATE 30.09.2021

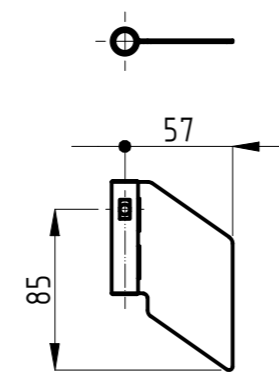
SIZE UNI A3



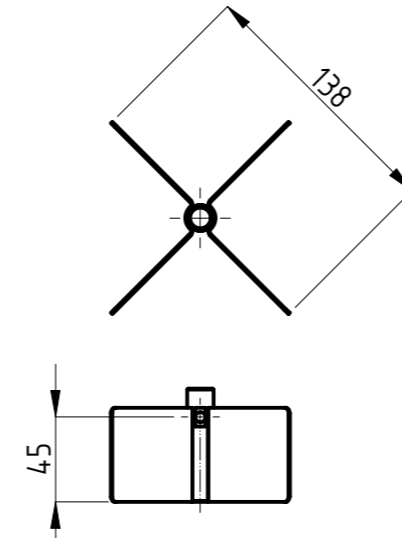
AC1 INOX
AISI 304
density > 1.0 kg/dm³



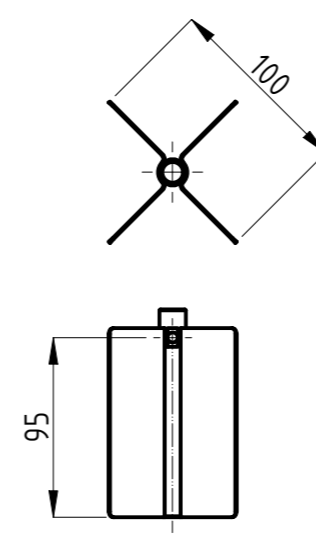
AC3 INOX
AISI 304
density > 0.3 kg/dm³



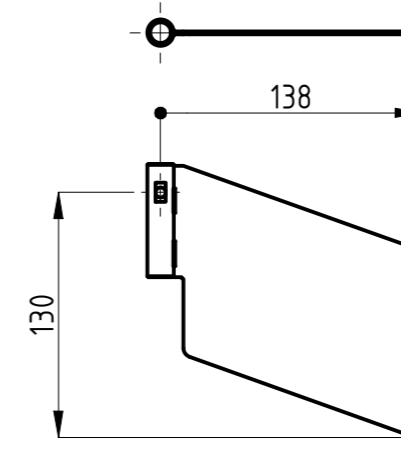
AC4 INOX
AISI 304
density > 0.5 kg/dm³



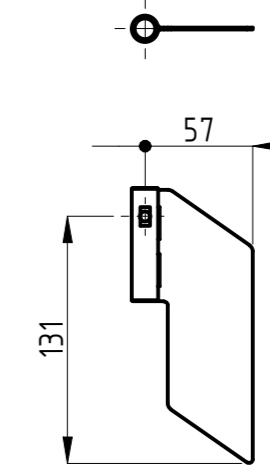
AC5 INOX
AISI 304
density > 0.2 kg/dm³



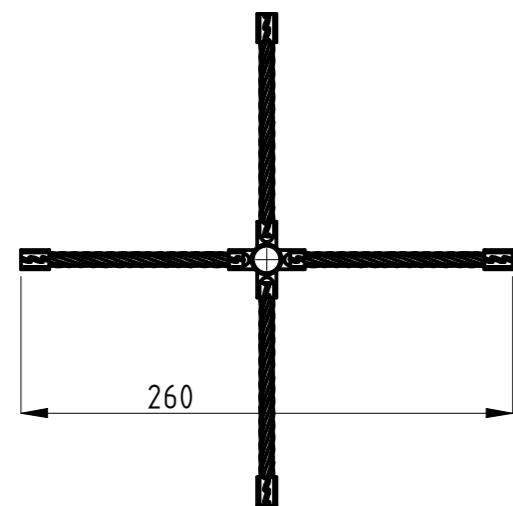
AC5L INOX
AISI 304
density > 0.2 kg/dm³



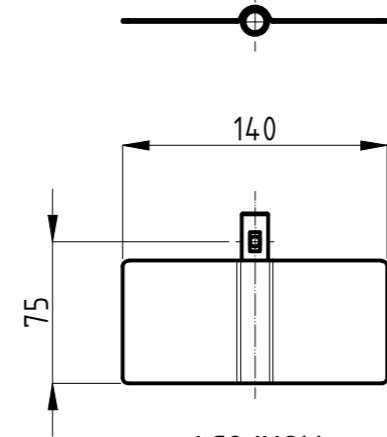
AC6 INOX
AISI 304
density > 0.1 kg/dm³



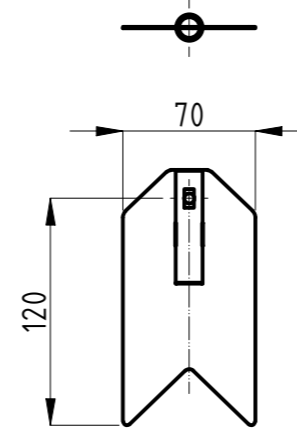
AC7 INOX
AISI 304
density > 0.3 kg/dm³



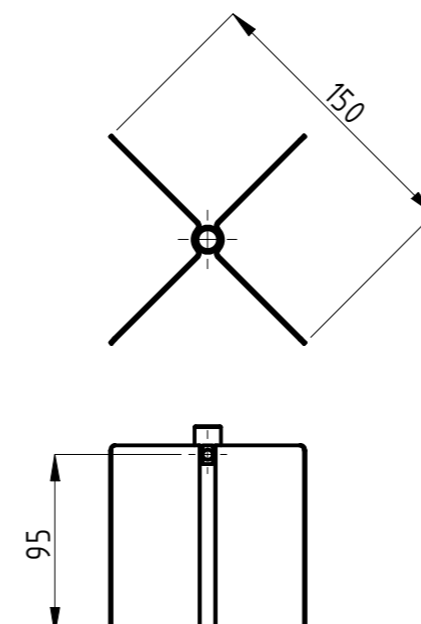
AC8
galvanized steel (wires)
density > 2.0 kg/dm³



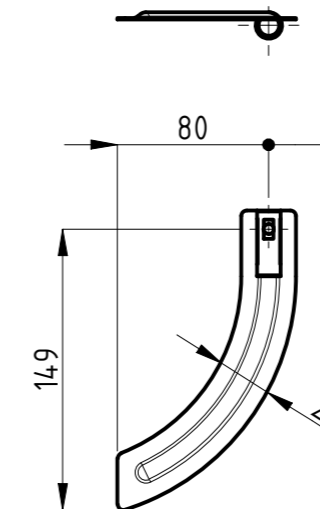
AC9 INOX
AISI 304
density > 0.2 kg/dm³



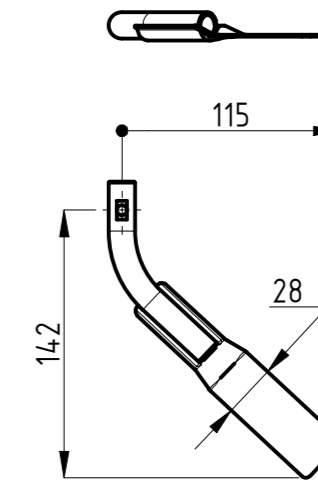
AC10 INOX
AISI 304
density > 0.6 kg/dm³



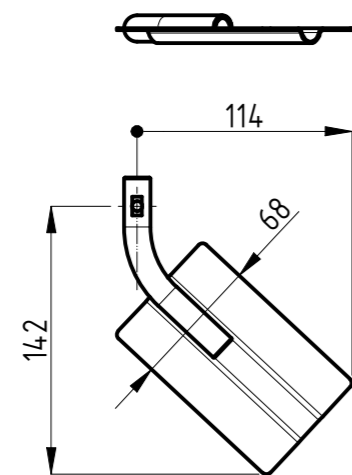
AC11 INOX
AISI 304
density > 0.1 kg/dm³



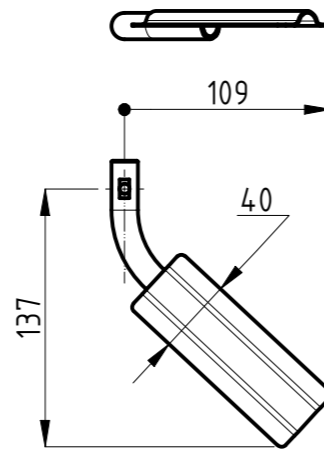
AC12 INOX
AISI 304
density > 0.4 kg/dm³



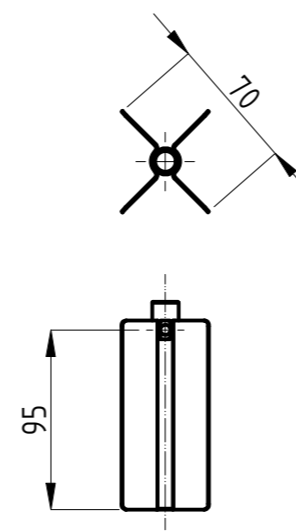
AC14 INOX
AISI 304
density > 0.4 kg/dm³



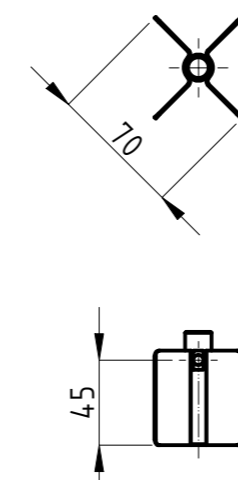
AC15 INOX
AISI 304
density > 0.2 kg/dm³



AC16 INOX
AISI 304
density > 0.3 kg/dm³



AC17 INOX
AISI 304
density > 0.4 kg/dm³

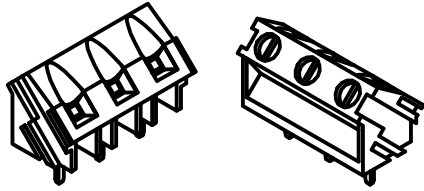


AC18 INOX
AISI 304
density > 0.7 kg/dm³

OPTIONS

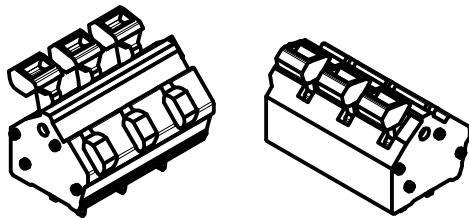
SCREW TERMINAL BLOCK

Terminals with screw terminal design
(flat head)
0,05 - 2,5mm² (AWG30 - AWG12)



SPRING TERMINAL BLOCK

Terminals with spring terminal design.
No tool needed for wires connection.
0,13 - 2,5mm² (AWG26 - AWG14)



4rpm GEARMOTOR (4R)

Increase paddle speed (4 rpm) to reduce product
detection delay time (response time ~ 1,5s)

® CAMLogic Via dell'Industria 12 42025 Cavriago (RE) - ITALY www.camlogic.it	CAM LOGIC ®	DRAWING N. 0602_011_0	SHEET: 5 OF 5
		SCALE: 1:1	REV: 0
GENERAL TOL.: ISO 2768-mH	UNLESS OTHERWISE SPECIFIED DIMENSION ARE IN [mm]	DRAWING FROM CAD SYSTEM - REFER TO 3D MODEL FOR MISSING DIMENSION - NO MANUAL MODIFICATION ALLOWED	DRAWN NR DATE 19.10.2021

SIZE UNI A4