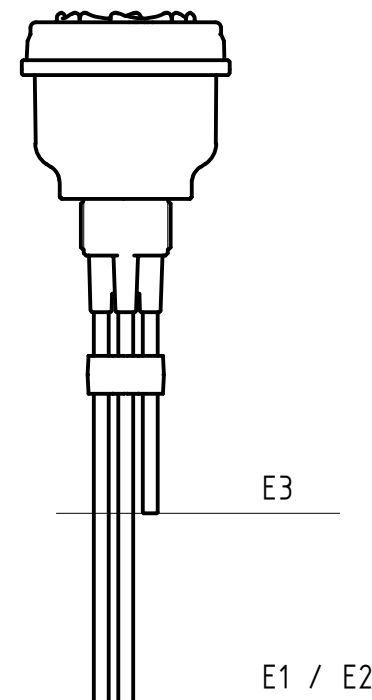
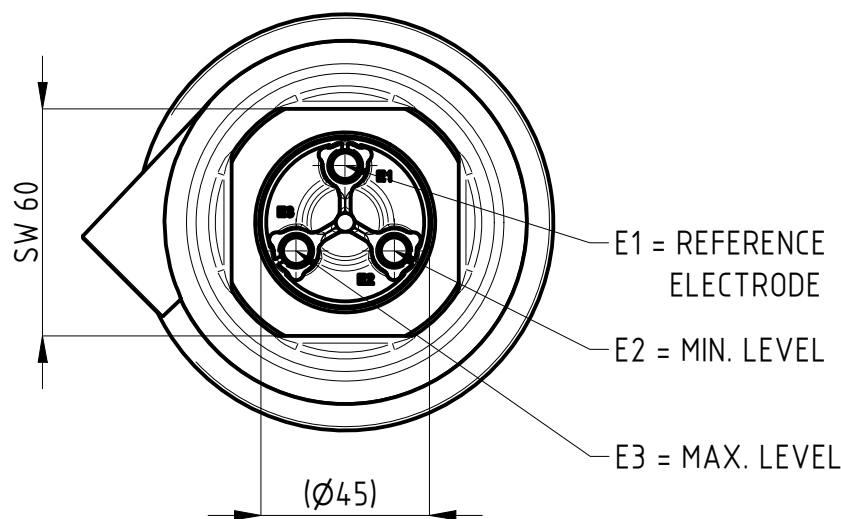
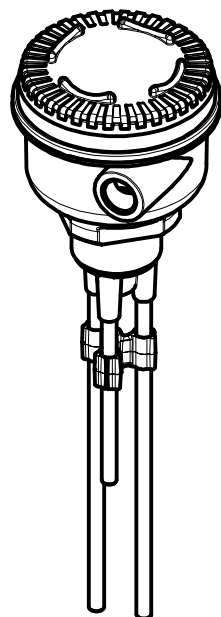
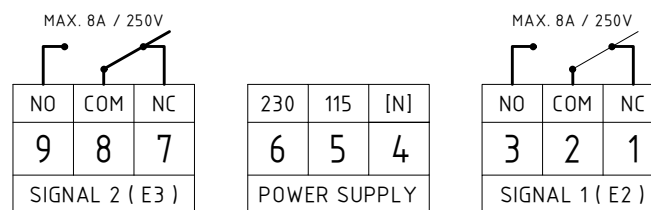


(1:4)

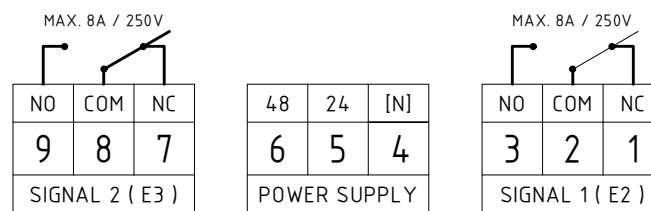


Terminals : male FASTON (.250 series / 6,3x0,8 mm)



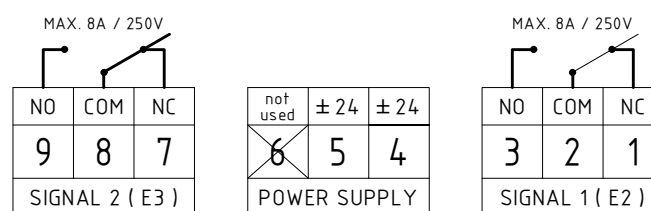
LED 2 = OFF \sim 115/ 230 V (AC) LED 1 = OFF

CONTACT POSITIONS WHEN ENERGIZED AND MATERIAL NOT PRESENT



LED 2 = OFF \sim 24/ 48 V (AC) LED 1 = OFF

CONTACT POSITIONS WHEN ENERGIZED AND MATERIAL NOT PRESENT



LED 2 = OFF --- 24 V (DC) LED 1 = OFF

CONTACT POSITIONS WHEN ENERGIZED AND MATERIAL NOT PRESENT

Model	CLC40
Weight	2,2 [kg]
Power supply	- Bivoltage 115/230[V] (50...60Hz) - 1[W] - Bivoltage 24/48[V] (50...60Hz) - 1[W] - DC 24[V] ±15% - 1[W]
Signal	SPDT / max. 8[A]-250VAC
IP grade	IP67
Housing	Polyamide (reinforced)
Connection	G 1" 1/2 - polyamide
Electrode material	AISI 316
Ambient temperature	-10 < Ta < +70 [°C]
Process temperature	-10 < Tp < +90 [°C]
MAX Pressure	+8 [bar]
Directives	2011/65/EU (RoHS) 2014/30/EU (EMC) 2014/35/EU (LVD) 1935/2004/EU (Food Compliance)

© CAMLogic, 2021
- ALL RIGHTS RESERVED-

® CAMLogic
Via dell'Industria 12
42025 Cavriago (RE) - ITALY
www.camlogic.it

CAMLOGIC

DRAWING N.

0602_018_0

SHEET:
1 OF 2

REV: 0

GENERAL TOL.: ISO 2768-mH

UNLESS OTHERWISE SPECIFIED
DIMENSION ARE IN [mm]

DRAWING FROM CAD SYSTEM - REFER TO 3D MODEL FOR
MISSING DIMENSION - NO MANUAL MODIFICATION ALLOWED

SCALE: 1:2

DRAWN NR
DATE 02.11.2021

SIZE UNI A3

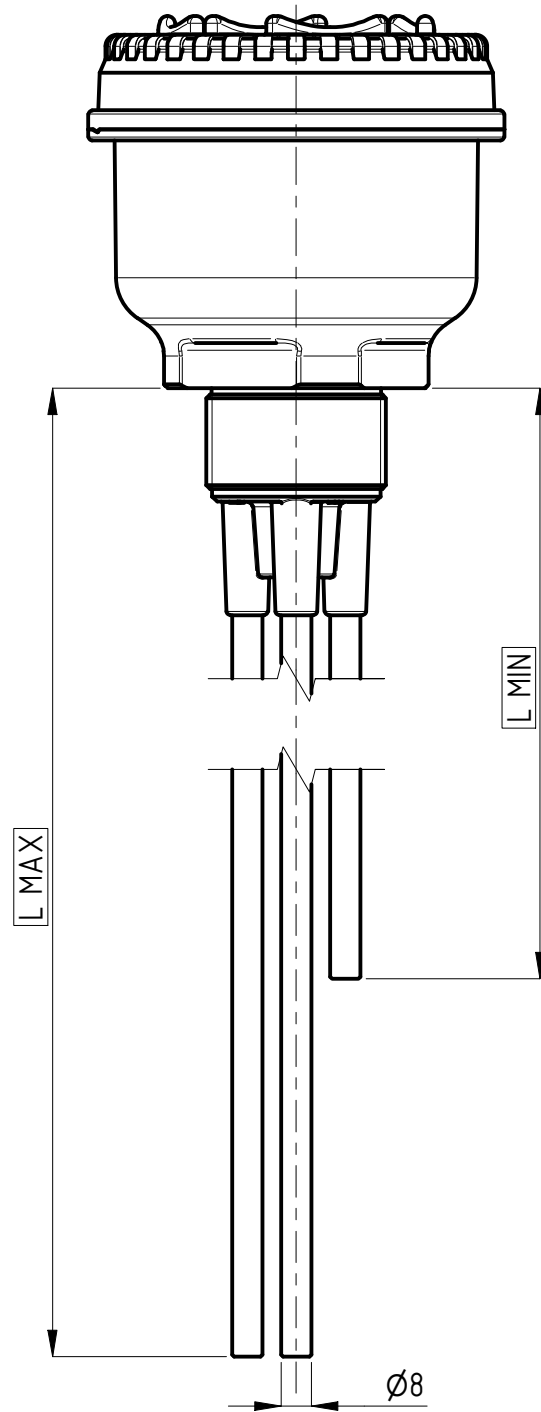
EXTENSIONS

® CAMLogic, 2021
- ALL RIGHTS RESERVED-

NOTES :

- 1) lengths may slightly differ from the tables
(+/- 5[mm])
- 2) electrodes can be shortened on site

L MAX / L MIN [mm]
80
180
280
480
980
1480
1980
2980
other lengths available on request, up to 3m



<p>® CAMLogic Via dell'Industria 12 42025 Cavriago (RE) - ITALY www.camlogic.it</p>		DRAWING N.	SHEET:
		0602_018_0	2 OF 2
GENERAL TOL.: ISO 2768-mH	UNLESS OTHERWISE SPECIFIED DIMENSION ARE IN [mm]	DRAWING FROM CAD SYSTEM - REFER TO 3D MODEL FOR MISSING DIMENSION - NO MANUAL MODIFICATION ALLOWED	REV: 0
		SCALE: 1:2	DRAWN NR DATE 19.10.2021

SIZE UNI A4