



IECEX - ATEX
DUST ZONE 20/21

LEVEL INDICATOR

PFG05X

Product Line: **Rotary**



Solids



Food
products



Corrosives

This unit, strongly manufactured, is very safe and is particularly designed for conditions of hard work and continuous cycles. Parts in contact with the product are in stainless steel.

ADVANTAGES

- An **EASY TO INSTALL** instrument that does not require any calibration, maintenance or specific tool for its installation.
- Thanks to the wide choice of paddles, all of which are interchangeable, it is **ADAPTABLE** to the different densities of the measured materials.
- Extremely **VERSATILE**, it can be installed on tanks, hoppers, on walls or roofs of silos, in a vertical, horizontal or oblique position.
- **CUSTOMIZABLE** with **paddles, extensions**, voltages and different electrical connection options.
- **DURABLE** and **RELIABLE** with aluminium casing, stainless steel shaft on ball bearings and electrical connection via anti-vibration faston terminals. Works with ambient temperatures from -20° to +70°C.
- On request:
 - **CONDENSATION FILTER:** helps preventing the formation of condensation in the level indicator casing.
 - **8 PULSES FOR ROTATION CONTROL:** remotely notifying that the level indicator is working correctly.
 - **VOLTAGE CONTROL:** to check the correct power supply of the level indicator.
 - **DOUBLE CONTACT:** the level indicator will have one additional dry contact.
 - **4 RPM:** to decrease the intervention time of the level indicator.
 - **LOW TEMPERATURES:** allows the indicator to operate up to -40°C.

LEVEL INDICATOR PFG05X



Solids

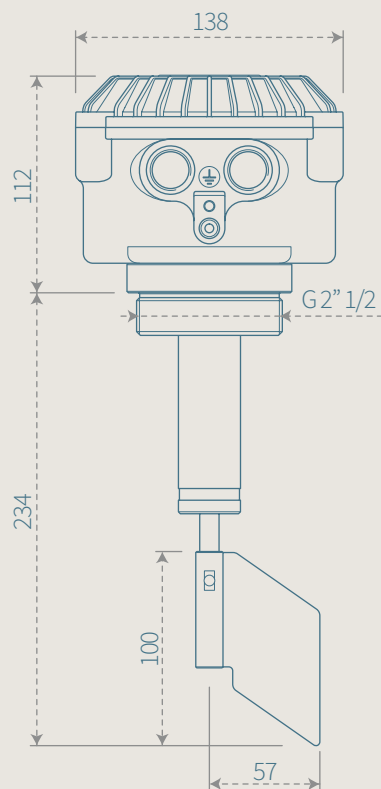


Food products



Corrosives

Product Line: **Rotary**



Customizations



115/230V AC



24/48V AC



24V DC



4 RPM



Voltage control



Rotation control



Lamp



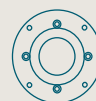
Double contact



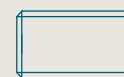
Low temperatures



Condensation filter



Stainless steel flange



Stainless steel sleeve G2 1/2



Faston terminals (standard)



Screw terminal blocks



Spring terminal blocks

Extensions

In galvanized steel or stainless steel.

- With or without protection, up to **3000 mm**
- Flexible, up to **12 meters**

Compatible paddles

For information on the range of available paddles, refer to the dedicated brochure.

