



Solids



IECEx - ATEX  
DUST ZONE 20/21

## LEVEL INDICATOR

# PFG05

Product Line: **Rotary**

Of durable and reliable manufacturing, particularly suitable for heavy operating conditions and extended working periods. Version with G 2" 1/2 male thread for mounting with sleeve or flange.

### ADVANTAGES

- An **EASY TO INSTALL** instrument that does not require any calibration, maintenance or specific tool for its installation.
- Thanks to the wide choice of paddles, all of which are interchangeable, it is **ADAPTABLE** to the different densities of the measured materials.
- Extremely **VERSATILE**, it can be installed on tanks, hoppers, on walls or roofs of silos, in a vertical, horizontal or oblique position.
- **CUSTOMIZABLE** with **paddles, extensions**, voltages and different electrical connection options.
- **DURABLE** and **RELIABLE** with aluminium casing, stainless steel shaft on ball bearings and electrical connection via anti-vibration faston terminals. Works with ambient temperatures from -20° to +70°C.
- On request:
  - CONDENSATION FILTER:** helps preventing the formation of condensation in the level indicator casing.
  - 8 PULSES FOR ROTATION CONTROL:** remotely notifying that the level indicator is working correctly.
  - VOLTAGE CONTROL:** to check the correct power supply of the level indicator.
  - DOUBLE CONTACT:** the level indicator will have one additional dry contact.
  - 4 RPM:** to decrease the intervention time of the level indicator.
  - LOW TEMPERATURES:** allows the indicator to operate up to -40°C.

### AVAILABLE VERSIONS



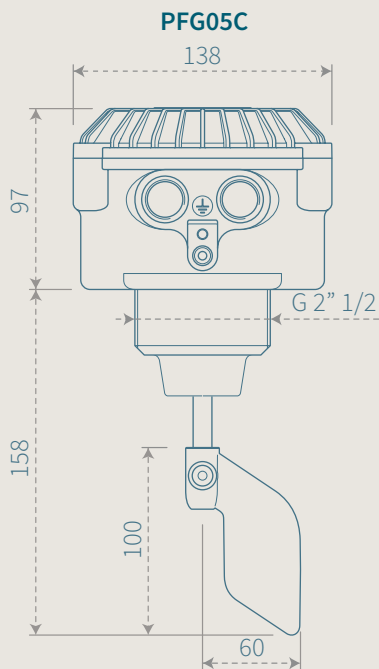
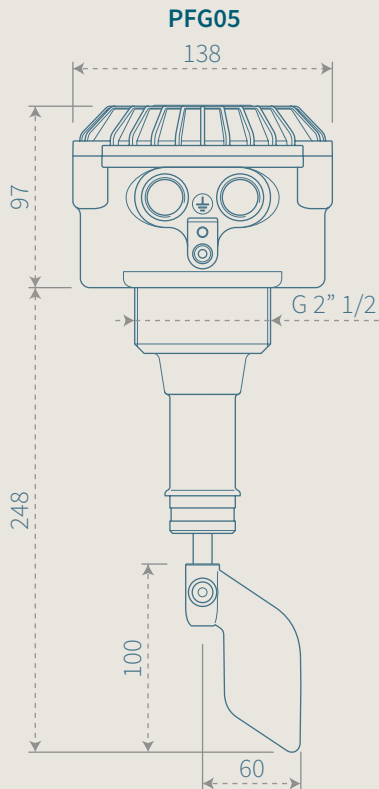
**PFG05C**  
Short version

# LEVEL INDICATOR PFG05



Solids

Product Line: **Rotary**



## Customizations



115/230V AC



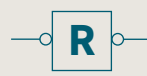
24/48V AC



24V DC



4 RPM



Voltage control



Rotation control



Lamp



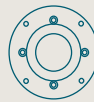
Double contact



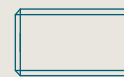
Low temperatures



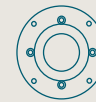
Condensation filter



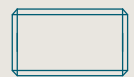
Aluminium flange



Iron sleeve  
G 2 1/2



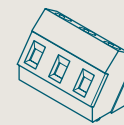
Stainless steel flange



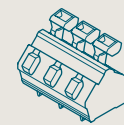
Stainless steel sleeve  
G 2 1/2



Faston terminals  
(standard)



Screw terminal blocks



Spring terminal blocks

## Extensions

In galvanized steel or stainless steel.

- With or without protection, up to **3000 mm**
- Adjustable, with additional holes **to alter the paddle position**
- Flexible, up to **12 meters**

## Compatible paddles

For information on the range of available paddles, refer to the dedicated brochure.

